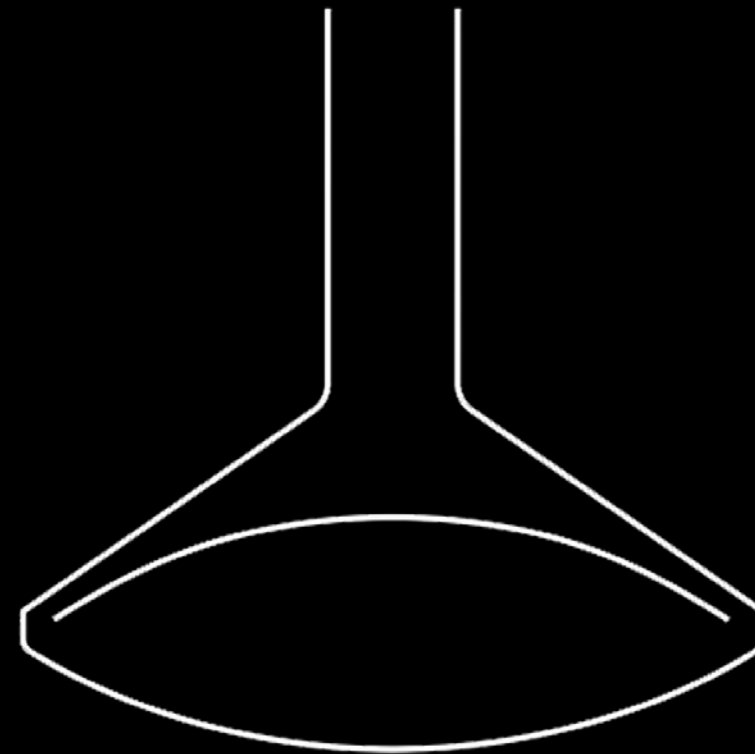


VITA | Fireplaces

Built-In Linear and Wall-Mount Vapor-Fire



CF + D | custom fireplace design

www.customfireplacedesign.com

Mar 15, 2022



Quality Creativity Innovation



VITA Fireplaces

Featuring:
Vapor-Fire Technology

CF + D | custom fireplace design has mastered the skills and technology required to design and fabricate highly innovative, one-of-a-kind fireplaces often in dimensions and finishes that have been created for the first time. With a team of highly skilled craftsmen proficient in the art of shaping, fabricating and welding steel materials CF + D is committed to breaking the paradigms and pushing the boundaries of fireplace design possibilities. With enthusiasm and passion for our craft of custom designing and fabricating unique fireplaces, we outperform expectations providing solutions for our client's design criteria.

Now as a full design/build manufacturing company, CF + D is introducing their own production line of artistic contemporary designs.

VITA Fireplaces: the first exclusive collection of uniquely designed and fabricated, suspended and built-in linear fireplaces incorporating the Vapor-Fire burner technology system. The discovery of this new technology which creates the illusion of a realistic fire flame using water vapor was the inspiration for our innovative VITA Fireplaces.

Vapor-Fire uses regular tap water as a fuel source, creating a viable solution for installations in multi-family buildings, hospitality suites, lobbies, restaurants and private homes. Free from venting requirements, zero combustible issues and no safety liabilities. All Vapor-Fire models are 100% efficient adding to your LEED Certification Score.

VITA Fireplaces



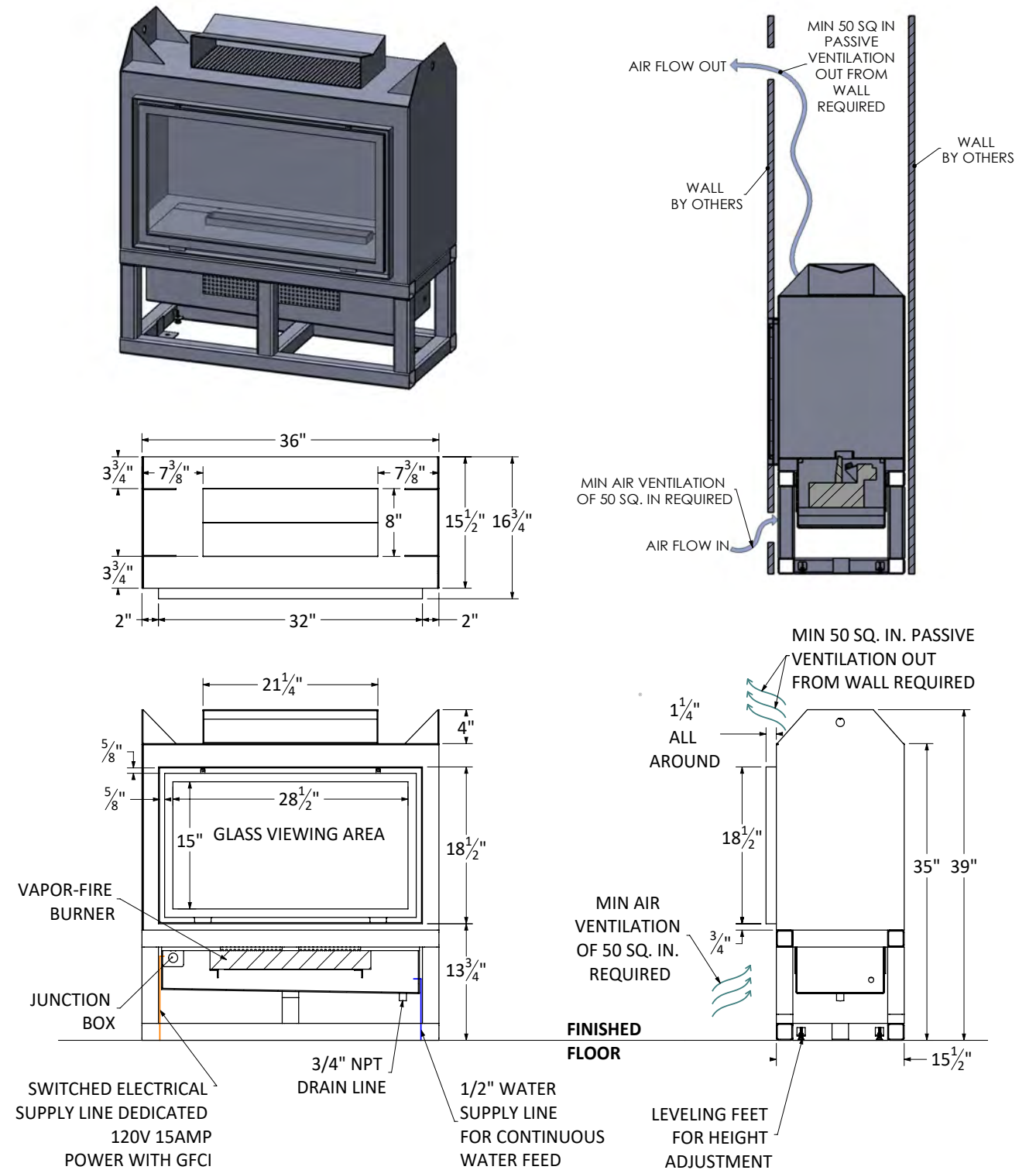
- Vapor-Fire burner technology
- Realistic flame without heat
- No venting requirements
- Safe to the touch
- Fueled by regular tap water
- 120 Volt 15 Amp-GFCI
- All fireplaces come in black matte finish
- Custom colors and patina finishes available
- Heat available
- 2" framing clearance required for installation

OPTION 1:
Plumbed-In to main source water line, 1/2" reduced to 1/4" factory set connection.

OPTION 2:
Removable 1L container for manual fill approx. 8-10 hour burn time.

Recommended: 1 1/2" floor drain or condensate pump for potential leak management

36" Single-Sided | Built-In Linear Vapor-Fire



All dimensions are in Inches
Exact measurements may vary ± 1/2"

Fireplace Weight	230 lbs.
Burner	1 X CDFI500P
Total Burner Length	20" Vapor-Fire Burner
Airflow Requirements	50 Square Inches

VITA Fireplaces



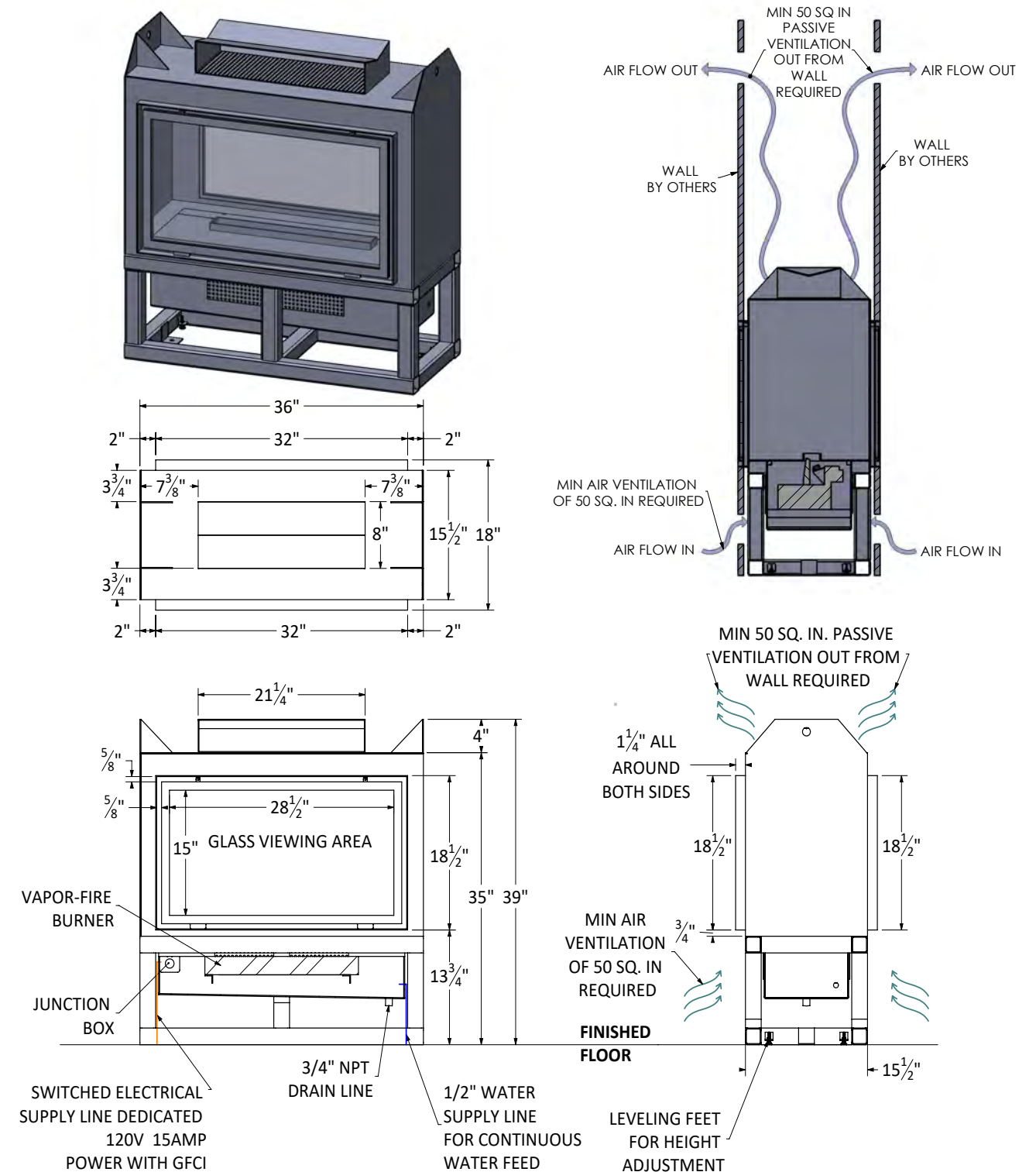
- Vapor-Fire burner technology
- Realistic flame without heat
- No venting requirements
- Safe to the touch
- Fueled by regular tap water
- 120 Volt 15 Amp-GFCI
- All fireplaces come in black matte finish
- Custom colors and patina finishes available
- Heat available
- 2" framing clearance required for installation

OPTION 1:
Plumbed-In to main source water line, 1/2" reduced to 1/4" factory set connection.

OPTION 2:
Removable 1L container for manual fill approx. 8-10 hour burn time.

Recommended: 1 1/2" floor drain or condensate pump for potential leak management

36" See-Thru | Built-In Linear Vapor-Fire



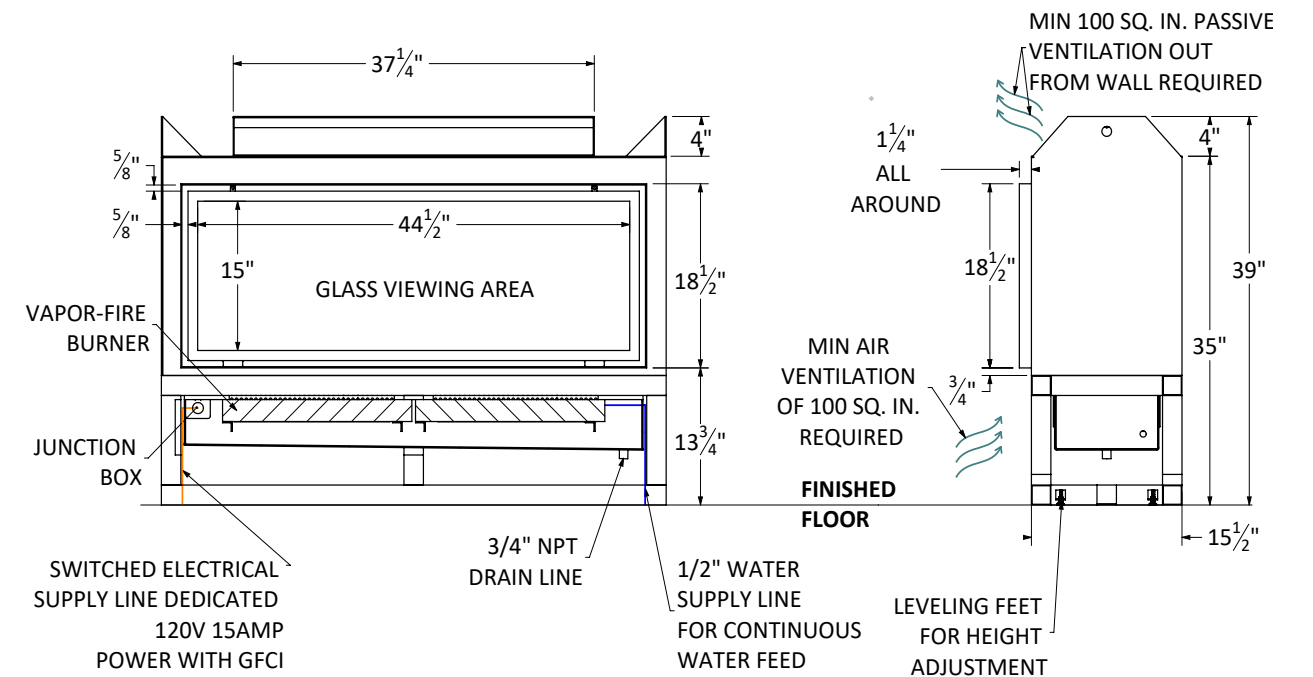
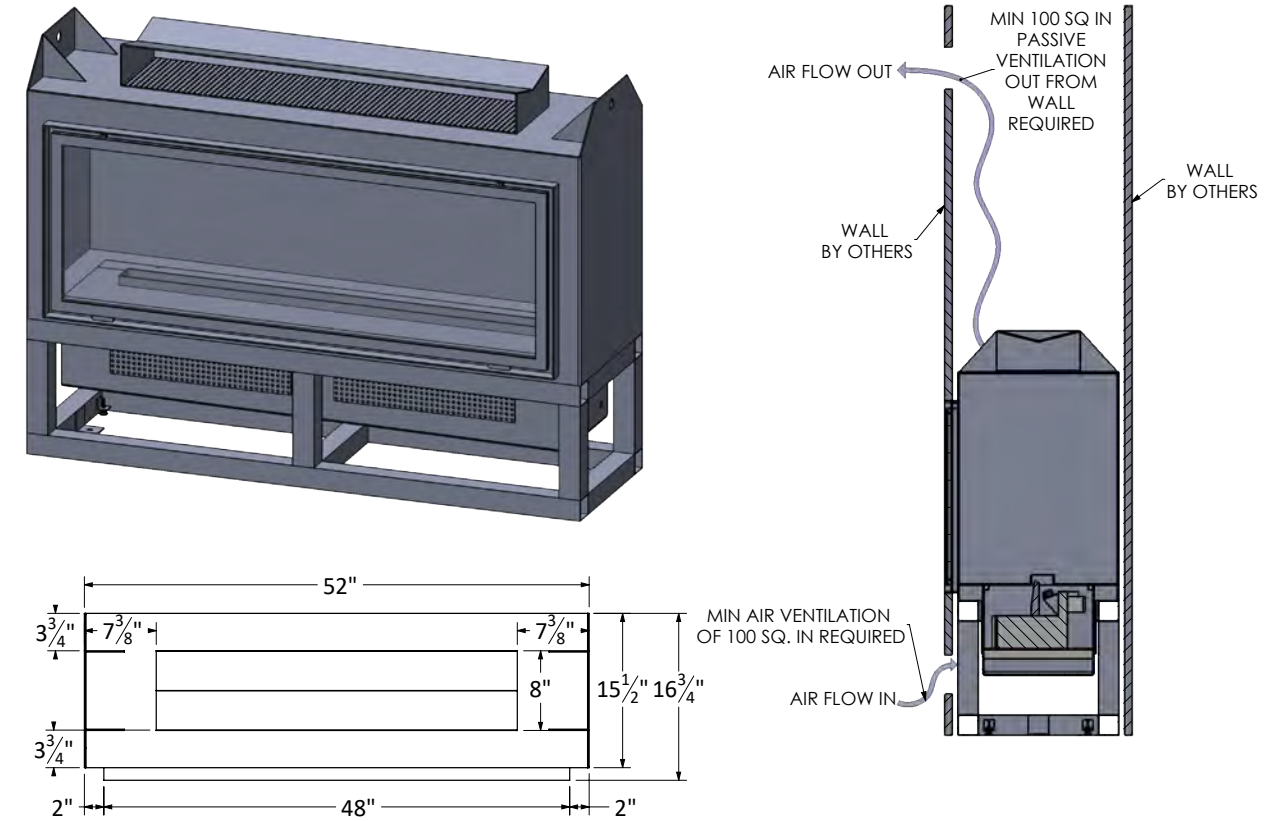
All dimensions are in Inches
Exact measurements may vary ± 1/2"

Fireplace Weight	230 lbs.
Burner	1 X CDFI500P
Total Burner Length	20" Vapor-Fire Burner
Airflow Requirements	50 Square Inches

VITA Fireplaces



52" Single-Sided | Built-In Linear Vapor-Fire



- Vapor-Fire burner technology
- Realistic flame without heat
- No venting requirements
- Safe to the touch
- Fueled by regular tap water
- 120 Volt 15 Amp-GFCI
- All fireplaces come in black matte finish
- Custom colors and patina finishes available
- Heat available
- 2" framing clearance required for installation

OPTION 1:
Plumbed-In to main source water line, 1/2" reduced to 1/4" factory set connection.

OPTION 2:
Removable 1L container for manual fill approx. 8-10 hour burn time.

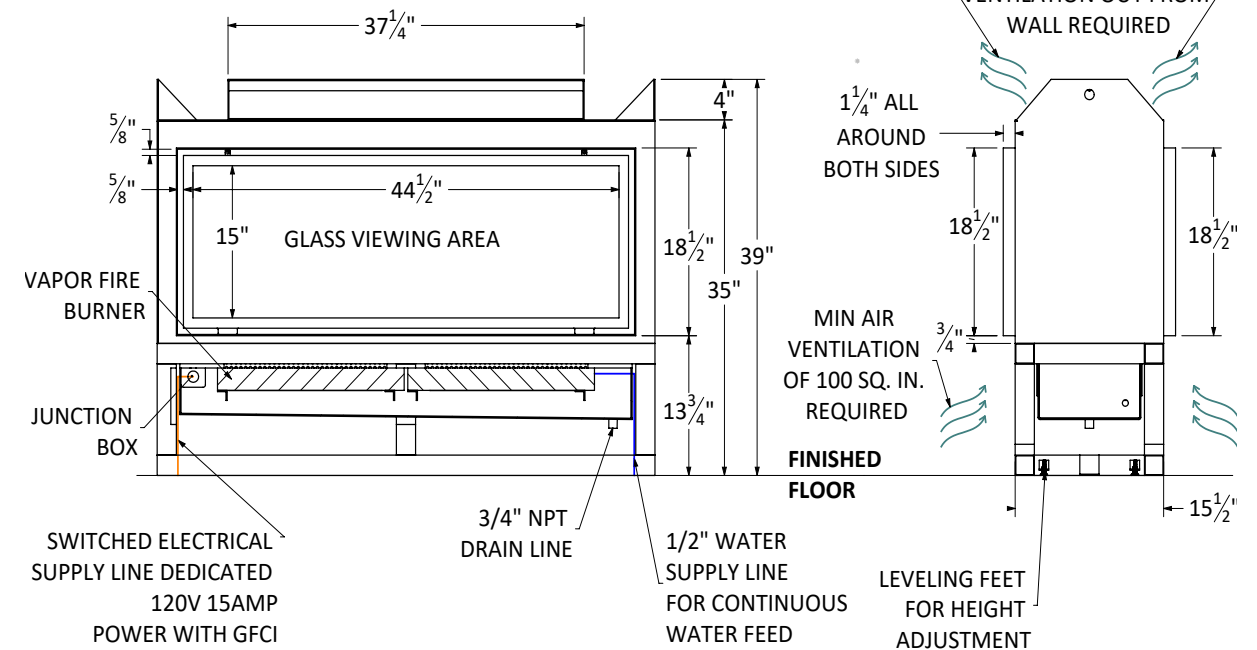
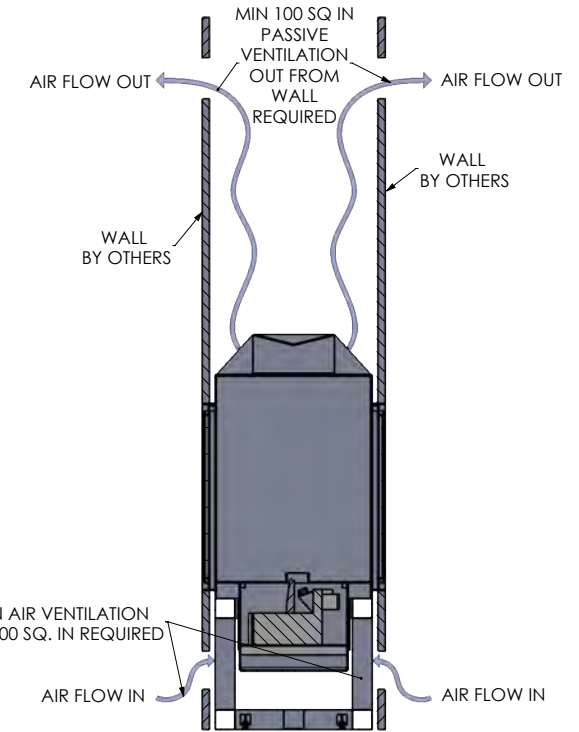
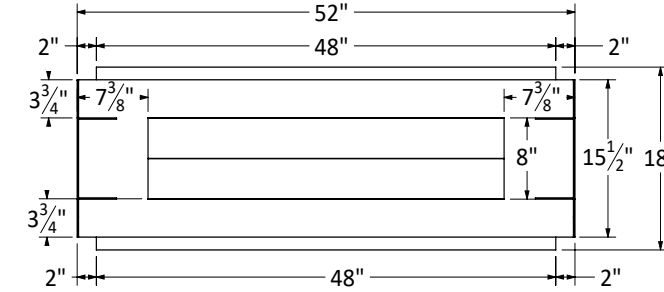
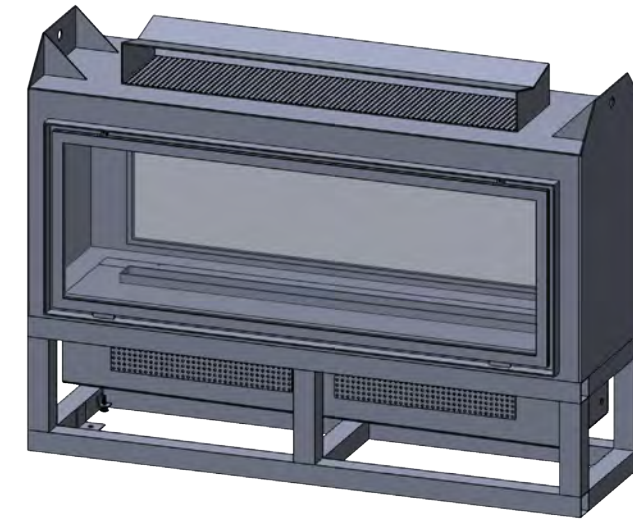
Recommended: 1 1/2" floor drain or condensate pump for potential leak management

All dimensions are in Inches
Exact measurements may vary $\pm 1/2$ "

Fireplace Weight	305 lbs.
Burner	1 X CDFI1000P
Total Burner Length	40" Vapor-Fire Burner
Airflow Requirements	100 Square Inches

VITA Fireplaces

52" See-Thru | Built-In Linear Vapor-Fire



- Vapor-Fire burner technology
- Realistic flame without heat
- No venting requirements
- Safe to the touch
- Fueled by regular tap water
- 120 Volt 15 Amp-GFCI
- All fireplaces come in black matte finish
- Custom colors and patina finishes available
- Heat available
- 2" framing clearance required for installation

OPTION 1:
Plumbed-In to main source water line, 1/2" reduced to 1/4" factory set connection.

OPTION 2:
Removable 1L container for manual fill approx. 8-10 hour burn time.

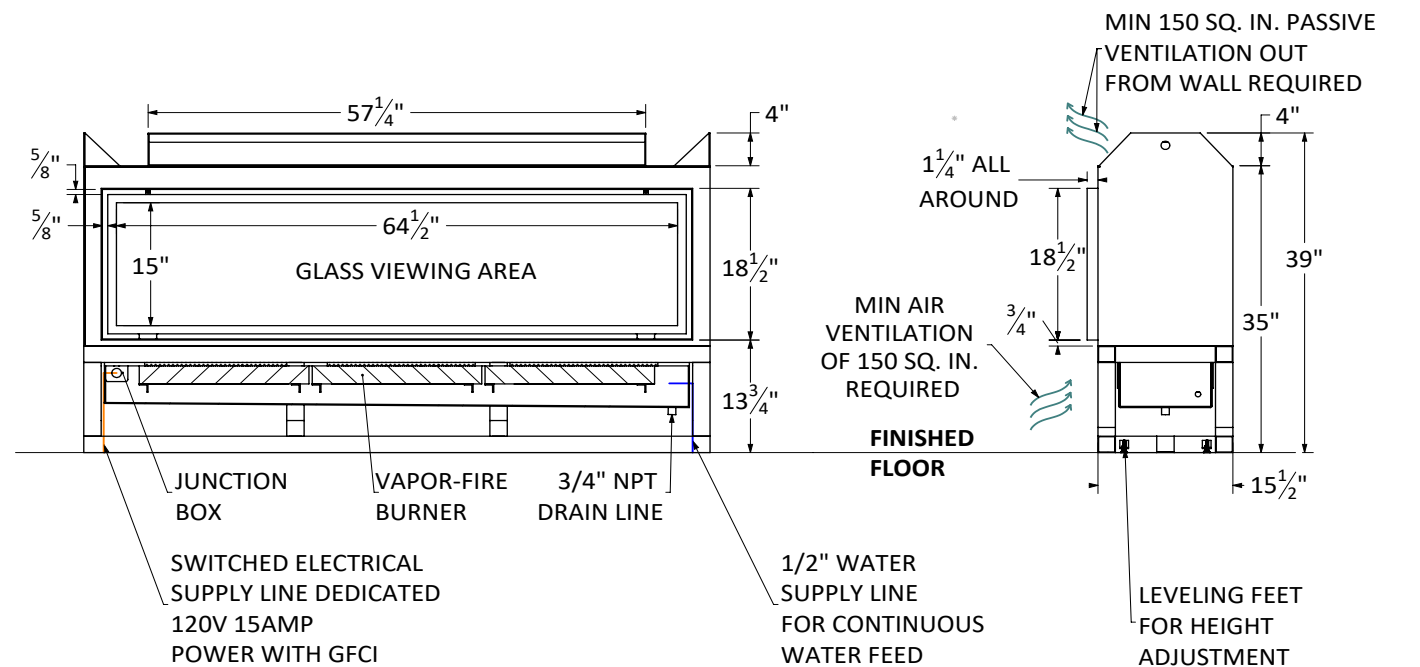
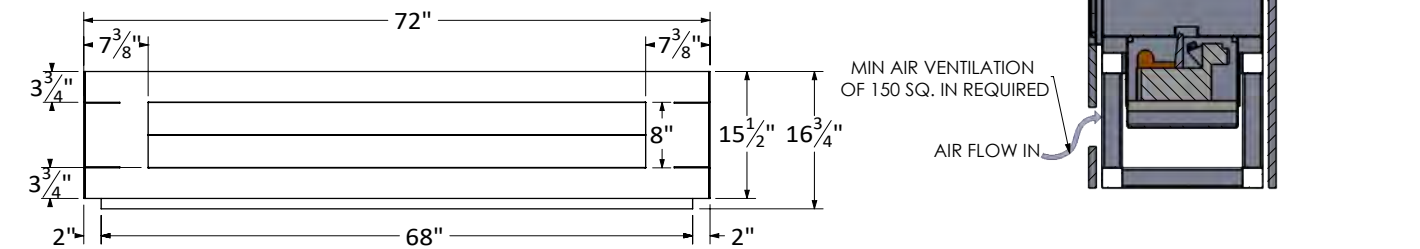
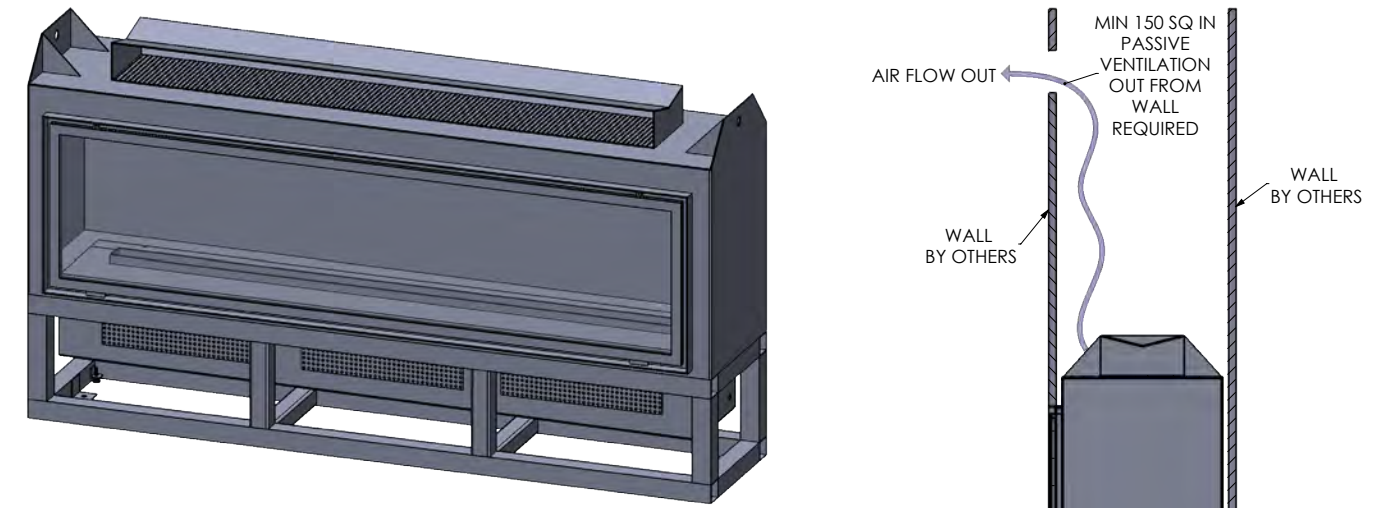
Recommended: 1 1/2" floor drain or condensate pump for potential leak management

All dimensions are in Inches
Exact measurements may vary ± 1/2"

Fireplace Weight	305 lbs.
Burner	1 X CDFI1000P
Total Burner Length	40" Vapor-Fire Burner
Airflow Requirements	100 Square Inches

VITA Fireplaces

72" Single-Sided | Built-In Linear Vapor-Fire



- Vapor-Fire burner technology
- Realistic flame without heat
- No venting requirements
- Safe to the touch
- Fueled by regular tap water
- 120 Volt 15 Amp-GFCI
- All fireplaces come in black matte finish
- Custom colors and patina finishes available
- Heat available
- 2" framing clearance required for installation

OPTION 1:
Plumbed-In to main source water line, 1/2" reduced to 1/4" factory set connection.

OPTION 2:
Removable 1L container for manual fill approx. 8-10 hour burn time.

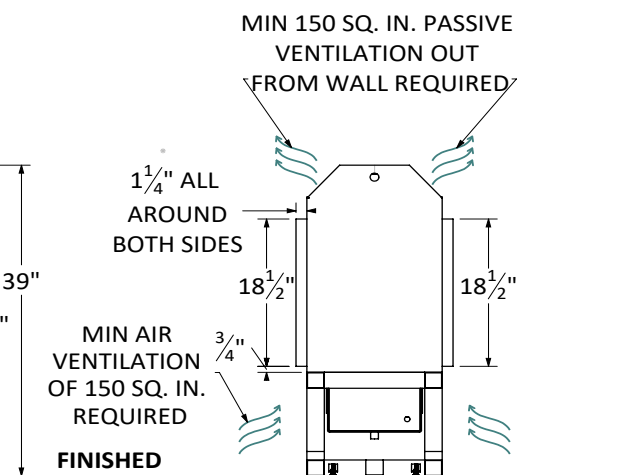
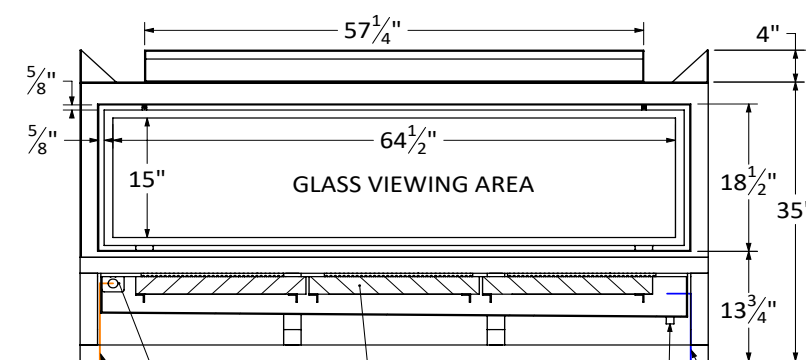
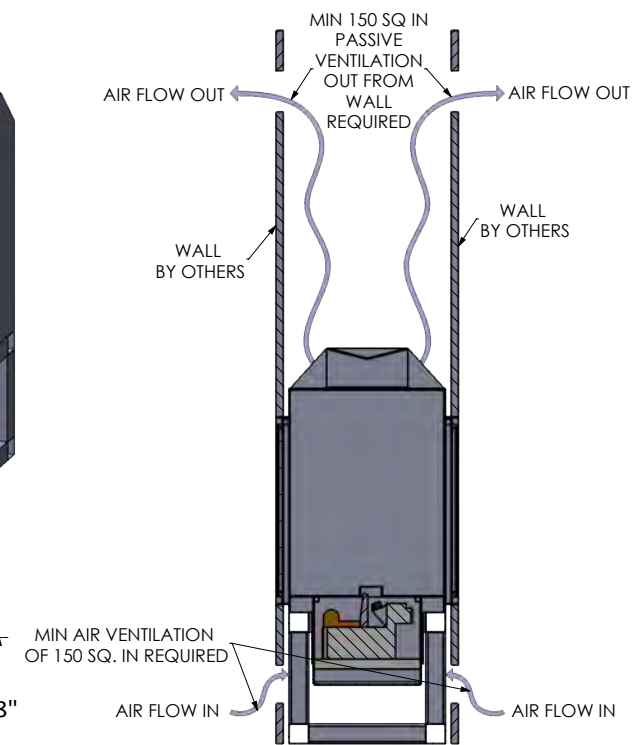
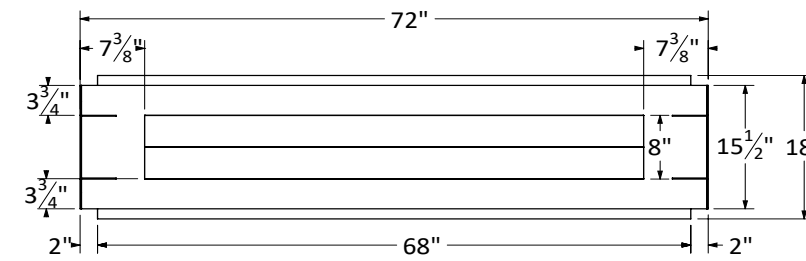
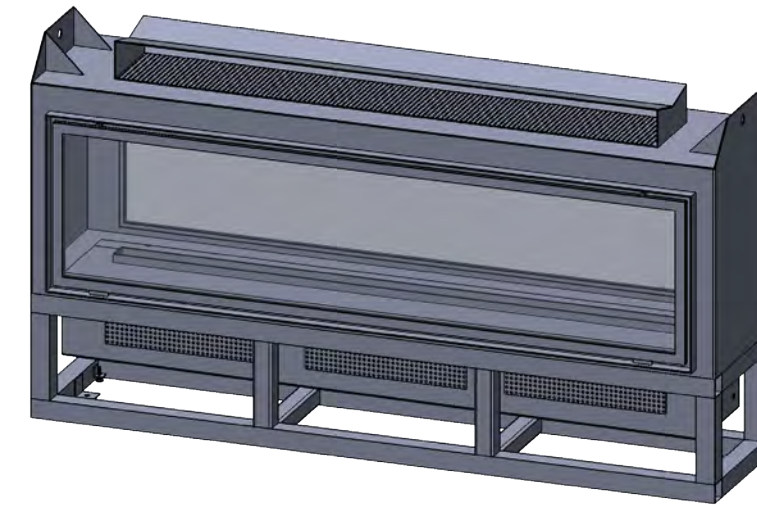
Recommended: 1 1/2" floor drain or condensate pump for potential leak management

All dimensions are in Inches
Exact measurements may vary ± 1/2"

Fireplace Weight	450 lbs.
Burner	1 X CDFI500P, and 1 X CDFI1000P
Total Burner Length	60" Vapor-Fire Burner
Airflow Requirements	150 Square Inches

VITA Fireplaces

72" See-Thru | Built-In Linear Vapor-Fire



- Vapor-Fire burner technology
- Realistic flame without heat
- No venting requirements
- Safe to the touch
- Fueled by regular tap water
- 120 Volt 15 Amp-GFCI
- All fireplaces come in black matte finish
- Custom colors and patina finishes available
- Heat available
- 2" framing clearance required for installation

OPTION 1:
Plumbed-In to main source water line, 1/2" reduced to 1/4" factory set connection.

OPTION 2:
Removable 1L container for manual fill approx. 8-10 hour burn time.

Recommended: 1 1/2" floor drain or condensate pump for potential leak management

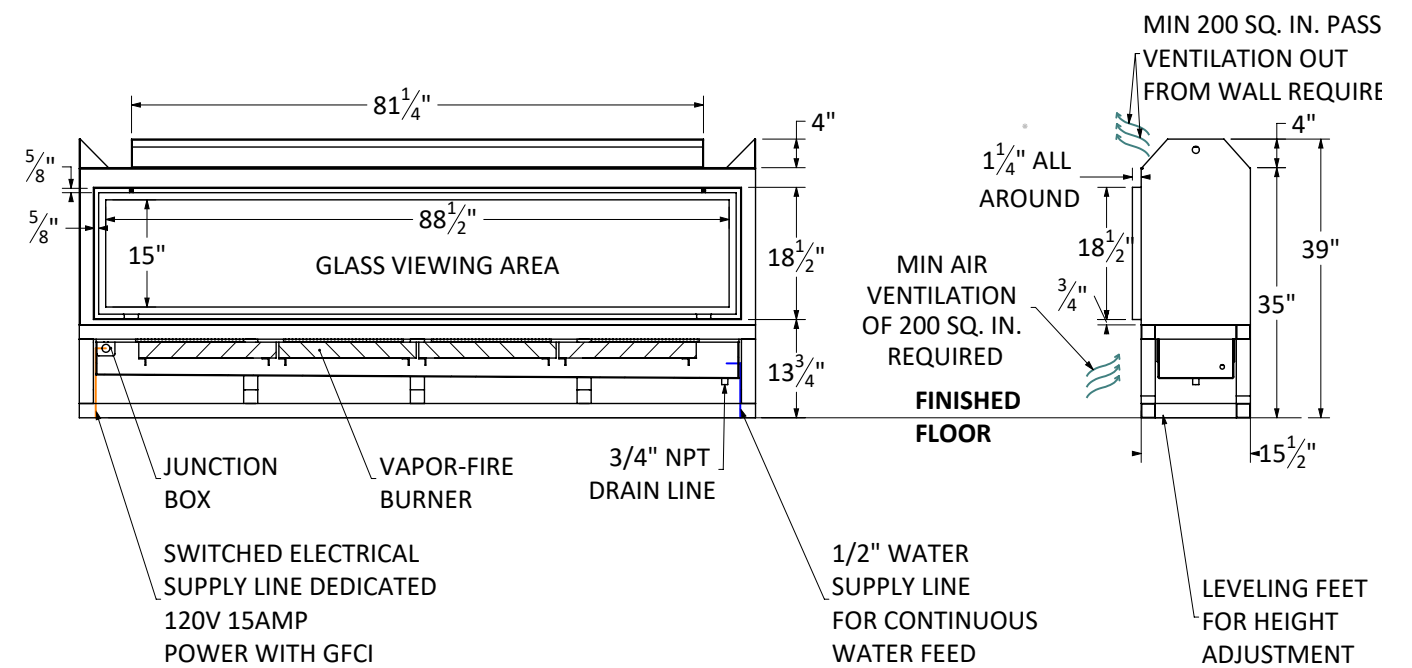
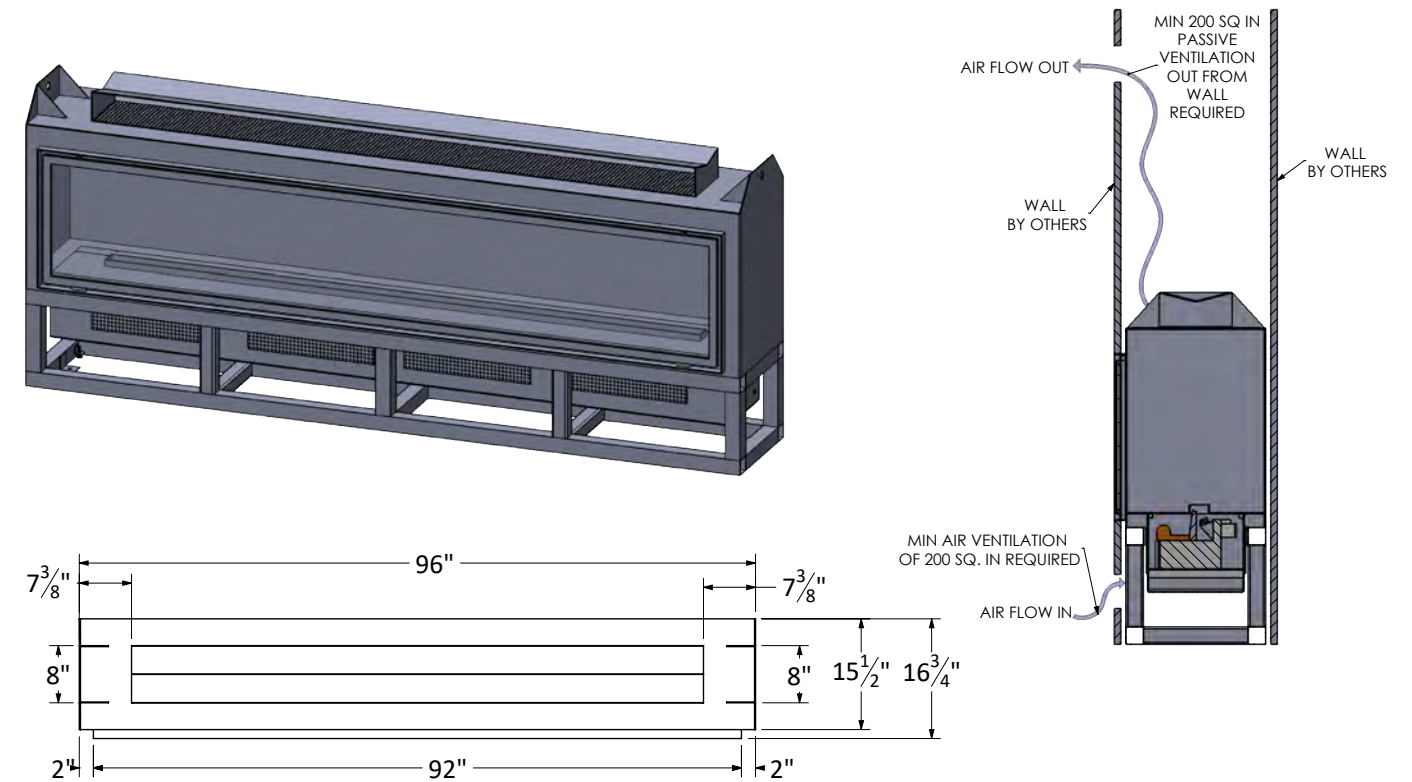
- JUNCTION BOX
- VAPOR-FIRE BURNER
- 3/4" NPT DRAIN LINE
- SWITCHED ELECTRICAL SUPPLY LINE DEDICATED 120V 15AMP POWER WITH GFCI
- 1/2" WATER SUPPLY LINE FOR CONTINUOUS WATER FEED
- LEVELING FEET FOR HEIGHT ADJUSTMENT

All dimensions are in inches
Exact measurements may vary ± 1/2"

Fireplace Weight	450 lbs.
Burner	1 X CDFI500P, and 1 X CDFI1000P
Total Burner Length	60" Vapor-Fire Burner
Airflow Requirements	150 Square Inches

VITA Fireplaces

96" Single-Sided | Built-In Linear Vapor-Fire



- Vapor-Fire burner technology
- Realistic flame without heat
- No venting requirements
- Safe to the touch
- Fueled by regular tap water
- 120 Volt 15 Amp-GFCI
- All fireplaces come in black matte finish
- Custom colors and patina finishes available
- Heat available
- 2" framing clearance required for installation

OPTION 1:
Plumbed-In to main source water line, 1/2" reduced to 1/4" factory set connection.

OPTION 2:
Removable 1L container for manual fill approx. 8-10 hour burn time.

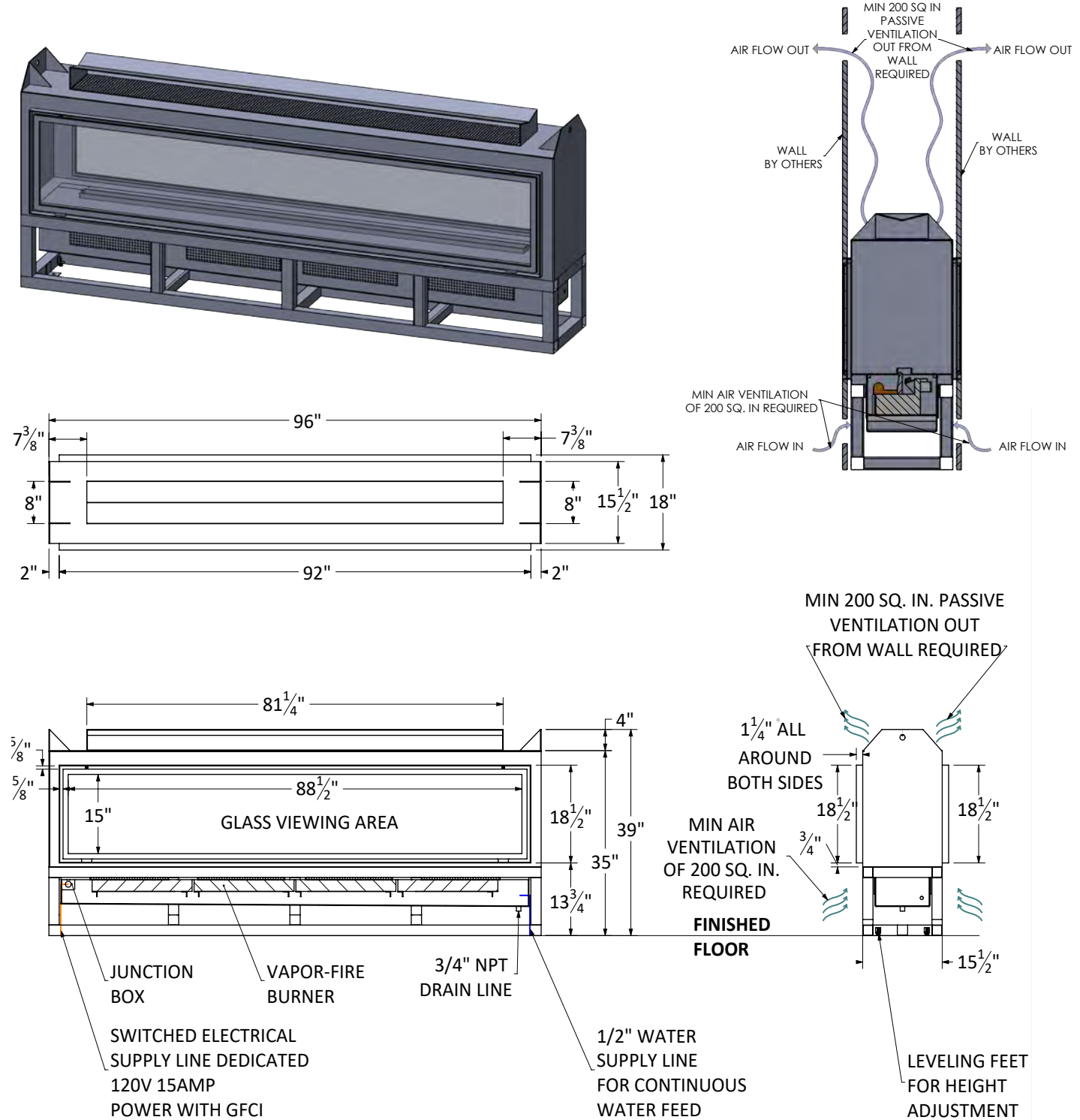
Recommended: 1 1/2" floor drain or condensate pump for potential leak management

All dimensions are in Inches
Exact measurements may vary ± 1/2"

Fireplace Weight	600 lbs.
Burner	2 X CDFI1000P
Total Burner Length	80" Vapor-Fire Burner
Airflow Requirements	200 Square Inches

VITA Fireplaces

96" See-Thru | Built-In Linear Vapor-Fire



- Vapor-Fire burner technology
- Realistic flame without heat
- No venting requirements
- Safe to the touch
- Fueled by regular tap water
- 120 Volt 15 Amp-GFCI
- All fireplaces come in black matte finish
- Custom colors and patina finishes available
- Heat available
- 2" framing clearance required for installation

OPTION 1:
Plumbed-In to main source water line, 1/2" reduced to 1/4" factory set connection.

OPTION 2:
Removable 1L container for manual fill approx. 8-10 hour burn time.

Recommended: 1 1/2" floor drain or condensate pump for potential leak management

All dimensions are in Inches
Exact measurements may vary ± 1/2"

Fireplace Weight	600 lbs.
Burner	2 X CDFII000P
Total Burner Length	80" Vapor-Fire Burner
Airflow Requirements	200 Square Inches

Wall-Mount Vapor-Fire

VITA Fireplaces



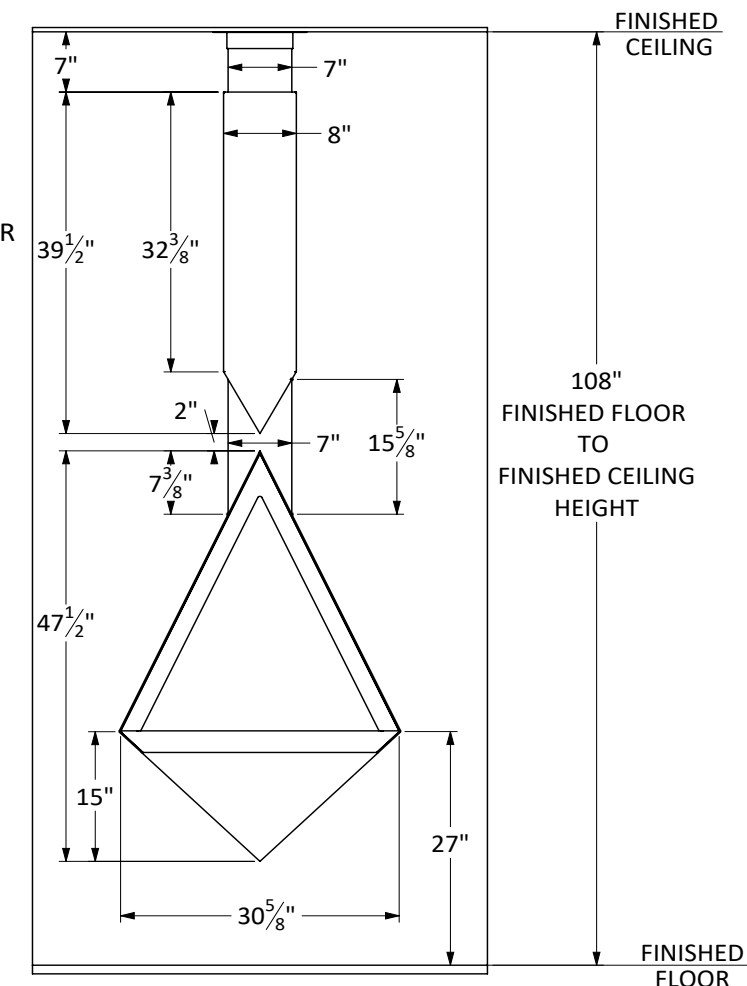
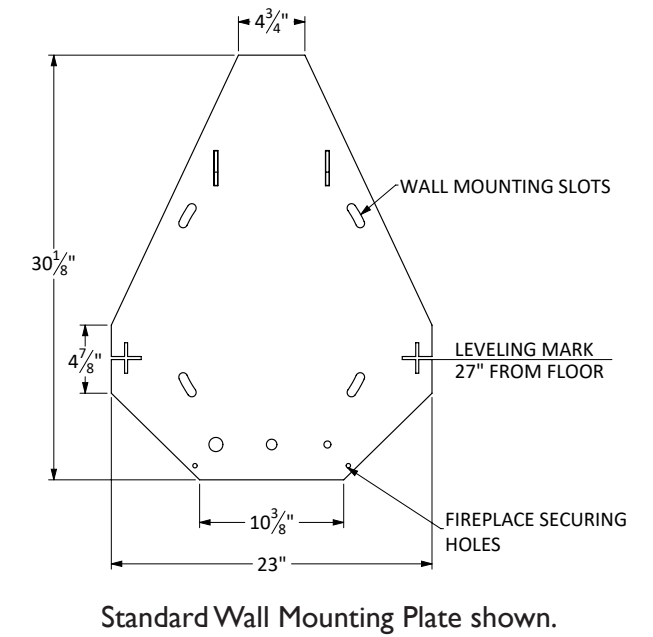
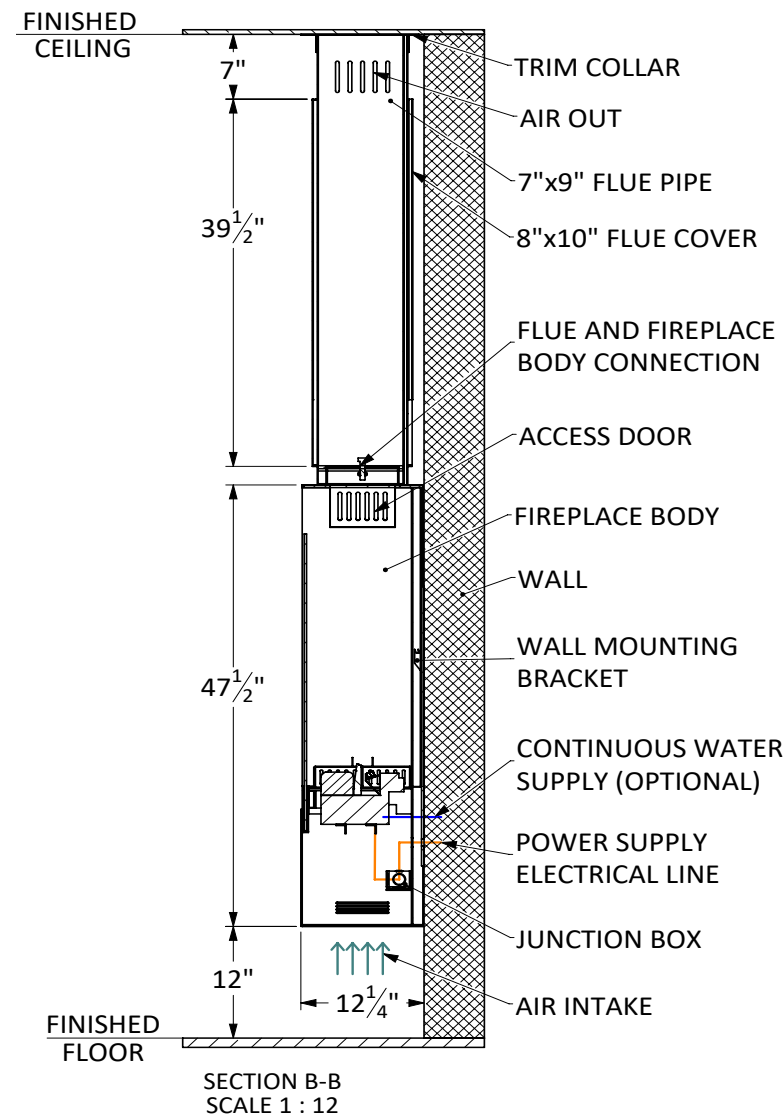
- Vapor-Fire burner technology
- Realistic flame without heat
- No venting requirements
- Safe to the touch
- Fueled by regular tap water
- 120 Volt 15 Amp-GFCI
- All fireplaces come in black matte finish
- Custom colors and patina finishes available
- Heat available, most models
- Custom anchor options available.

OPTION 1:
Plumbed-In to main source water line, 1/2" reduced to 1/4" factory set connection.

OPTION 2:
Removable 1L container for manual fill approx. 8-10 hour burn time.

Recommended: Leak detection sensor for potential leak management.

MONROE | Wall-Mount Vapor-Fire



All dimensions are in Inches
Note : Exact measurements may vary ±1/2\"/>

Fireplace Body	150 lbs.
Flue Pipe	11 lbs. per foot
Wall Mounting Plate	35 lbs.

VITA Fireplaces Built-In Linear and Wall-Mount Vapor-Fire Collection

North American Designed and Manufactured by
CF + D | custom fireplace design

VITA Fireplaces built-in linear models are available in exclusive Single-Sided and See-Thru, options. These models are designed to be framed into the wall, becoming part of the integral wall structure, leaving an opening for the glass/flame viewing area. The Monroe Wall-Mount Vapor-Fire includes a standard wall-mounting plate for securing the fire-feature to the wall.

Each unique model can be built to incorporate the Vapor-Fire burner technology system using water as a fuel source. With the variety of styles we have created, our clients now have an alternative fire-feature to fit into many projects whether residential, commercial or the hospitality sector.

Included with the purchase of a VITA Fireplaces Built-In Linear and/or Monroe Wall-Mount Vapor-Fire model are the following:

Vapor-Fire Burner Technology

Manual Fill Option for 8 - 10 hour burn time, or Plumbed-In Option for continuous burn time.

All fireplaces comes in Standard Factory Matte Black Paint Finish

Client's Choice of One Décor Media Option

There are a number of premium décor media option choices displayed in this booklet. We hope this is helpful in making your selection to personalize your unique fireplace choice.

Please contact us to begin your next project.



Our creative design solutions are waiting!

Décor Media Options: Logs | Glass | Rocks



Canoe Birch



Central Park



Riverbed



Black Crushed Glass



White Crushed Glass



Amber Crushed Glass



Midnight Black



White Marble



Sherlock Grey

*Custom Paint Color Choices



RAL 9017 Traffic



RAL 3002 Carmine Red

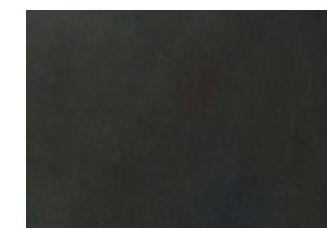


RAL 7011 Iron Grey

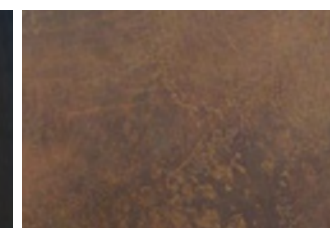


RAL 9010 Pure White

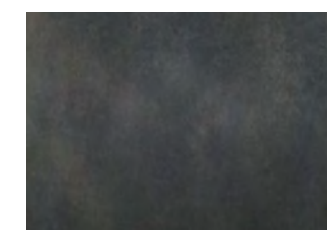
*Custom Patina Finishes



Slate Black



Japanese Brown



Black Magic



Vista Brown

**Some options outside of standard inclusions are available at an additional cost.*

CF + D | custom fireplace design

5230 Harvester Rd. Unit # 2, Burlington, ON, L7L 4X4

1.866.909.3070

www.customfireplacedesign.com