

VITA | Fireplaces

North American Designed & Manufactured by **CF + D** | custom fireplace design



CALLISTA Double-Sided | Suspended Gas Fireplace



Fireplaces have been tested and proved to comply with ANSI Z21.50/CSA 2.22 Vented Gas Fireplace. Certified under: ICC-ES PMG-1290

PRODUCT LAYOUT PACKAGE (VERTICAL TERMINATION)

2020-06-17

CF + D | custom fireplace design

www.customfireplacedesign.com

POWER EXHAUST FAN
W/ WEATHERPROOF
JUNCTION BOX

PRESSURE
SENSOR

STORM
COLLAR

ANCHOR
PLATE

ANCHOR
BODY

TRIM
COLLAR

FLUE
PIPE

SERVICE DOOR
FOR ACCESSING
CONTROLS

AUTOMATIC
DAMPER

B-VENT CHIMNEY
SYSTEM
W/ BALANCING
DAMPER

FLASHING W/
ROOF SUPPORT
& COLD AIR STOP

ELECTRICAL & GAS
LINE OPENING
(4 PLACES)

SERVICE DOOR
(TO ACCESS GAS &
ELECTRICAL
CONNECTIONS)

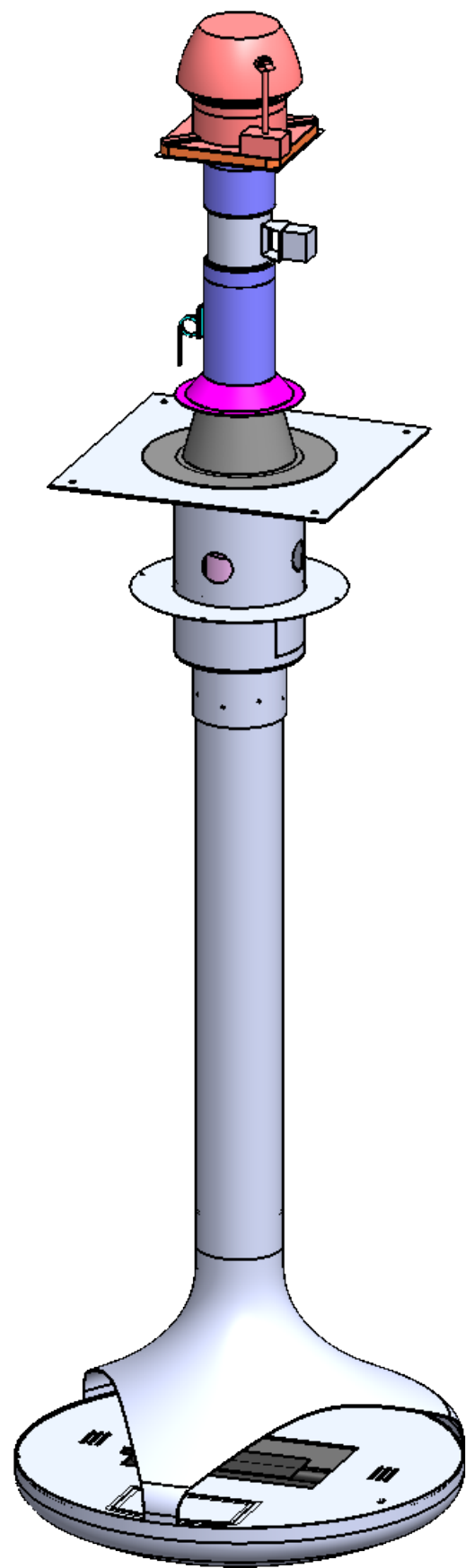
B-VENT CHIMNEY
CONNECTION
COLLAR

THREADED ROD
SECURING FIREPLACE
BODY TO FLUE PIPE

FIREPLACE BODY

GAS BURNER
(45,000 BTUs)

EXPLODED VIEW



ASSEMBLY VIEW

CALLISTA Double-Sided | Suspended Gas Fireplace
Product Information

- Fireplaces have been tested and proved to comply with ANSI Z21.50/CSA 2.22 Vented Gas Fireplace. Certified under: ICC-ES PMG-1290.
- Natural Gas or Propane fueled.
- Natural Gas Burner: approx. 45,000 BTUs.
- Propane Burner: approx. 40,000 BTUs.
- 120 Volt 15 Amp required for venting.
- Gas & Electrical connections to be completed on-site at service door.
- 6" ID B-Vent chimney system required.
- All standard fireplaces painted in factory matte black finish. Custom colors and patina finishes available.
- Switch operation on wall (not included).
- All dimensions are in inches.
- Exact measurements may vary $\pm 1/4"$.
- Optional decorative chimney cover available at add'l cost.

- Custom anchor options available at add'l cost.
- Enervex Intelli Draft and Damper System.
- The height of the chimney vent must extend a minimum of 2 ft. above the roof exit.

STANDARD PRODUCT WEIGHTS

SR. NO.	COMPONENT REFERENCE	WEIGHT
1	ANCHOR (ϕ 12"x25" lg.)	85 lbs. approx.
2	FLUE (ϕ 8"x67" lg.)	60 lbs. approx.
3	FIREPLACE BODY	190 lbs. approx.
TOTAL FIREPLACE WEIGHT (FOR 9 FT. CEILING APPLICATION)		335 lbs. approx.

*Each add'l. 1 ft. of flue pipe weighs : approx. 11 lbs.
*Each add'l. 1 ft. of anchor pipe weighs : approx. 17 lbs.

North American Designed & Manufactured by:



5230 Harvester Rd. Unit # 2 Burlington, Ontario Canada L7L 4X4
Phone: 905 681-3070 Fax: 905 681-8697

PROJECT
CALLISTA Double-Sided | Suspended Gas Fireplace

REV
0

UNLESS OTHERWISE SPECIFIED

DESCRIPTION
Assembly View

DIMENSIONS ARE IN INCHES
TOLERANCES:
FRACTIONAL $\pm 1/16$
ANGULAR: MACH $\pm 1^\circ$ BEND $\pm 0.5^\circ$
TWO PLACE DECIMAL ± 0.01
THREE PLACE DECIMAL ± 0.005



	NAME	DATE (mm/dd/yyyy)
DRAWN	mpanchal	2020-06-17
CHECKED	MV	2020-06-17

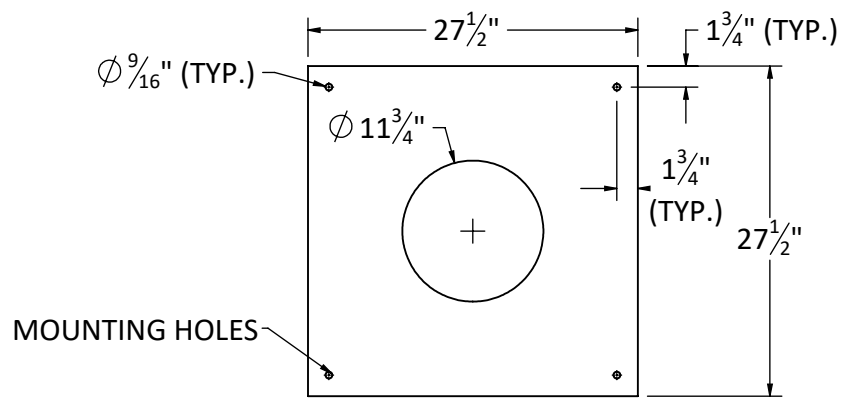
SIZE **B** SHEET 2 OF 7 DO NOT SCALE DRAWING

APPROVED
--
NA

PROPRIETARY AND CONFIDENTIAL
THE INFORMATION CONTAINED IN THIS DRAWING IS THE SOLE PROPERTY OF CUSTOM FIREPLACE DESIGN.
ANY REPRODUCTION IN PART OR AS A WHOLE WITHOUT THE WRITTEN PERMISSION OF CUSTOM FIREPLACE DESIGN IS PROHIBITED.

H

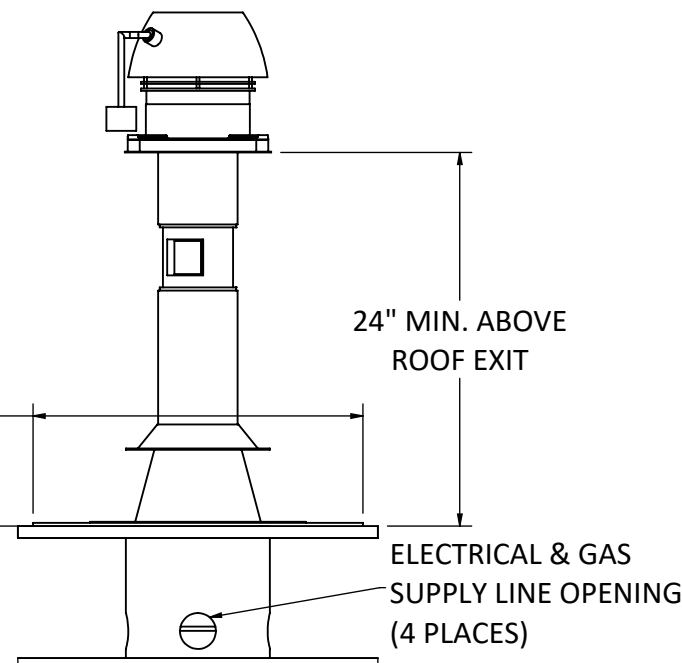
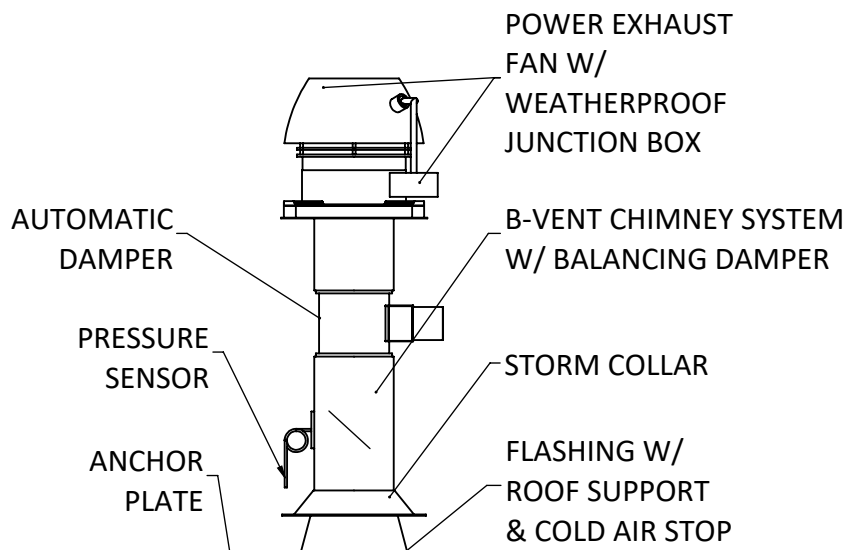
H



STANDARD ANCHOR PLATE- 1/4" THICK.

G

G



F

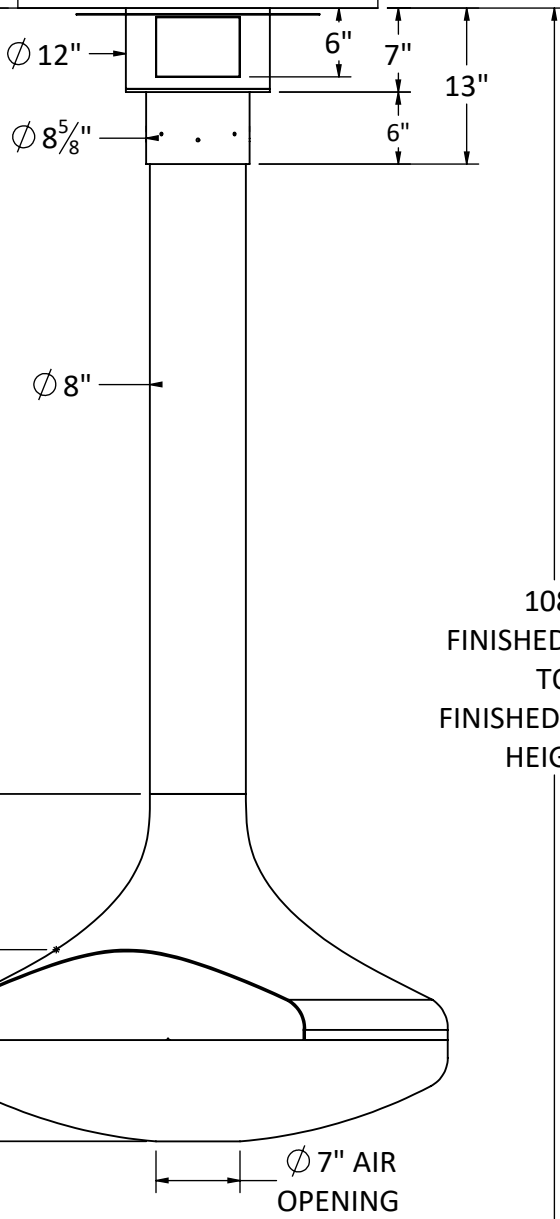
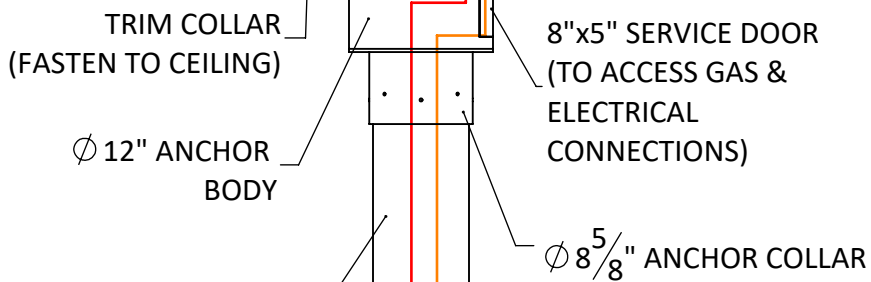
F

TOP OF ROOF

FINISHED CEILING

E

E



D

D

GAS LINE (45,000 BTUs)

LOW VOLTAGE ELECTRICAL LINE

C

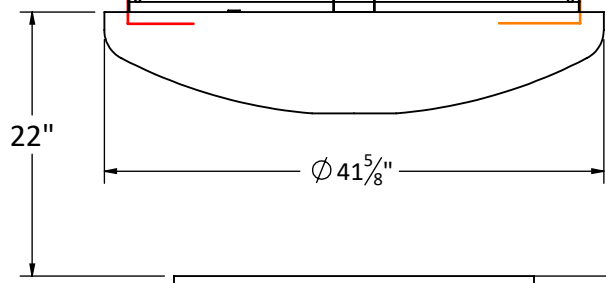
C

FIREPLACE BODY

FIREPLACE OPENING

B

B



FINISHED FLOOR

FRONT ELEVATION

SIDE ELEVATION

North American Designed & Manufactured by:

CF + D

custom fireplace design

5230 Harvester Rd. Unit # 2 Burlington, Ontario Canada L7L 4X4
Phone: 905 681-3070 Fax: 905 681-8697

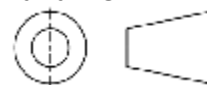
PROJECT
CALLISTA Double-Sided | Suspended Gas Fireplace

REV
0

UNLESS OTHERWISE SPECIFIED

DESCRIPTION
Specifications

DIMENSIONS ARE IN INCHES
TOLERANCES:
FRACTIONAL ± 1/16
ANGULAR: MACH ± 1° BEND ± 0.5°
TWO PLACE DECIMAL ± 0.01
THREE PLACE DECIMAL ± 0.005

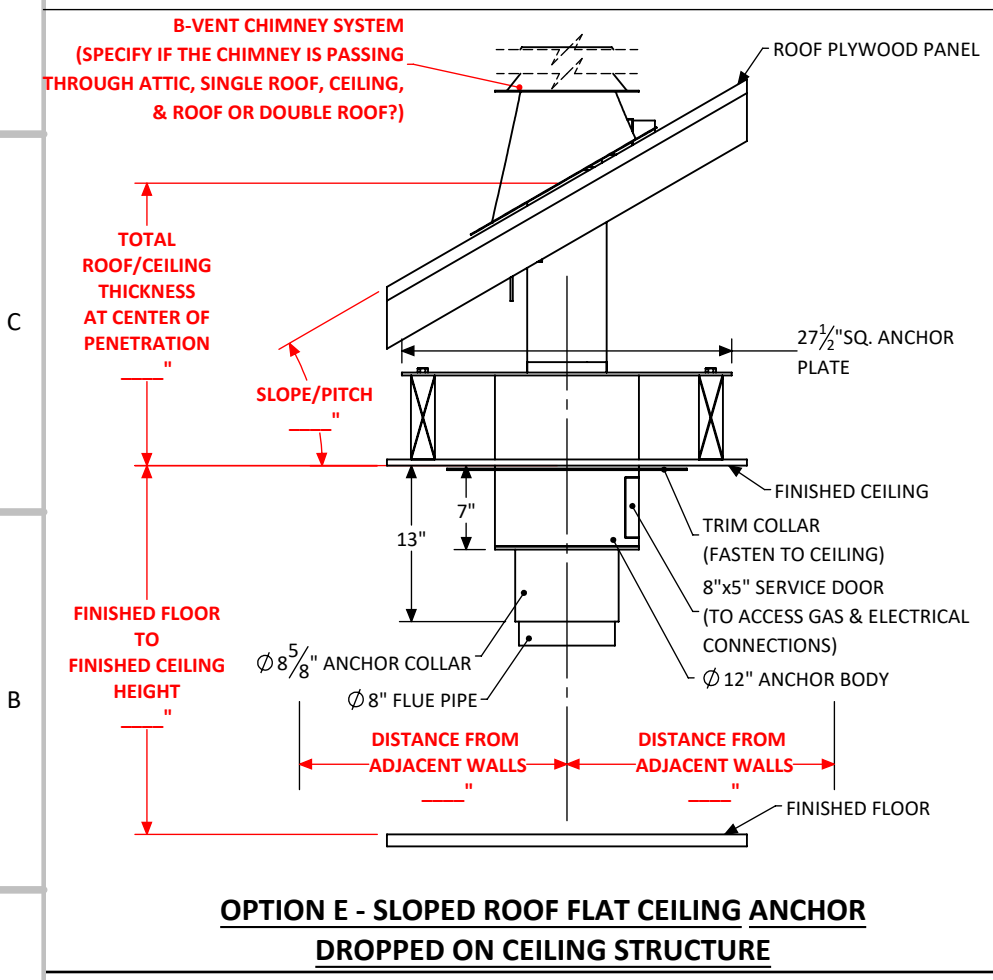
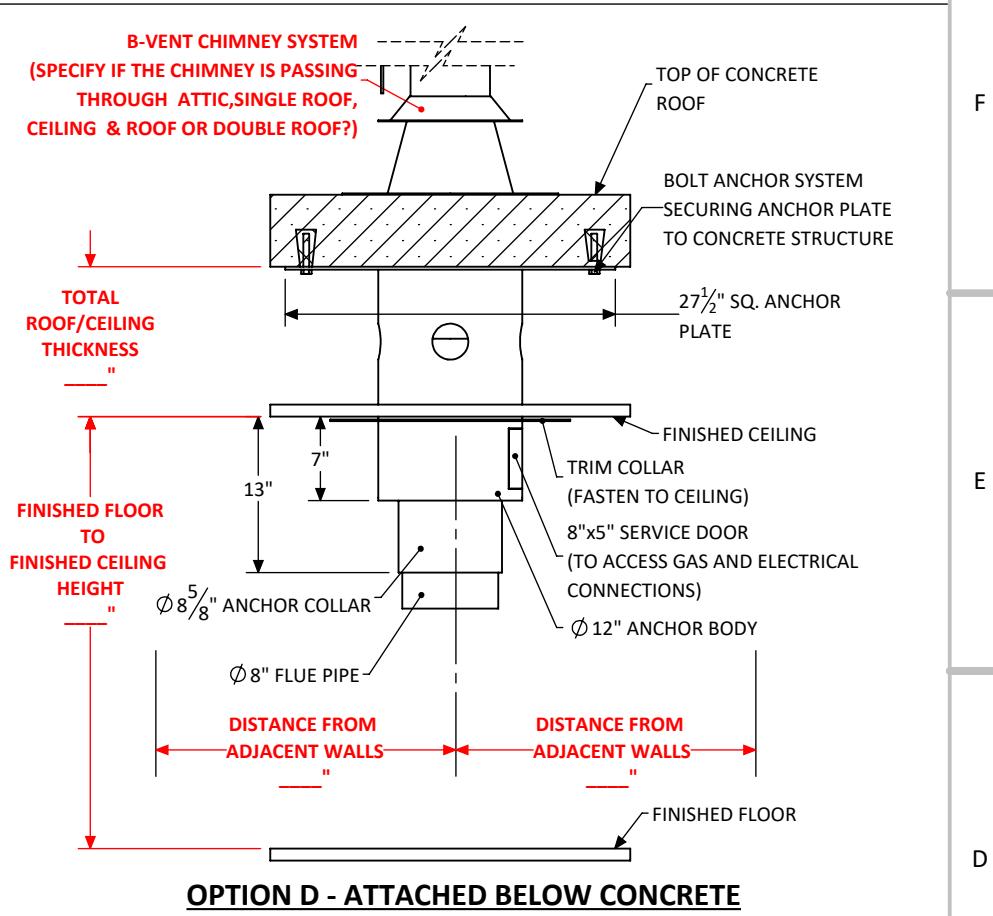
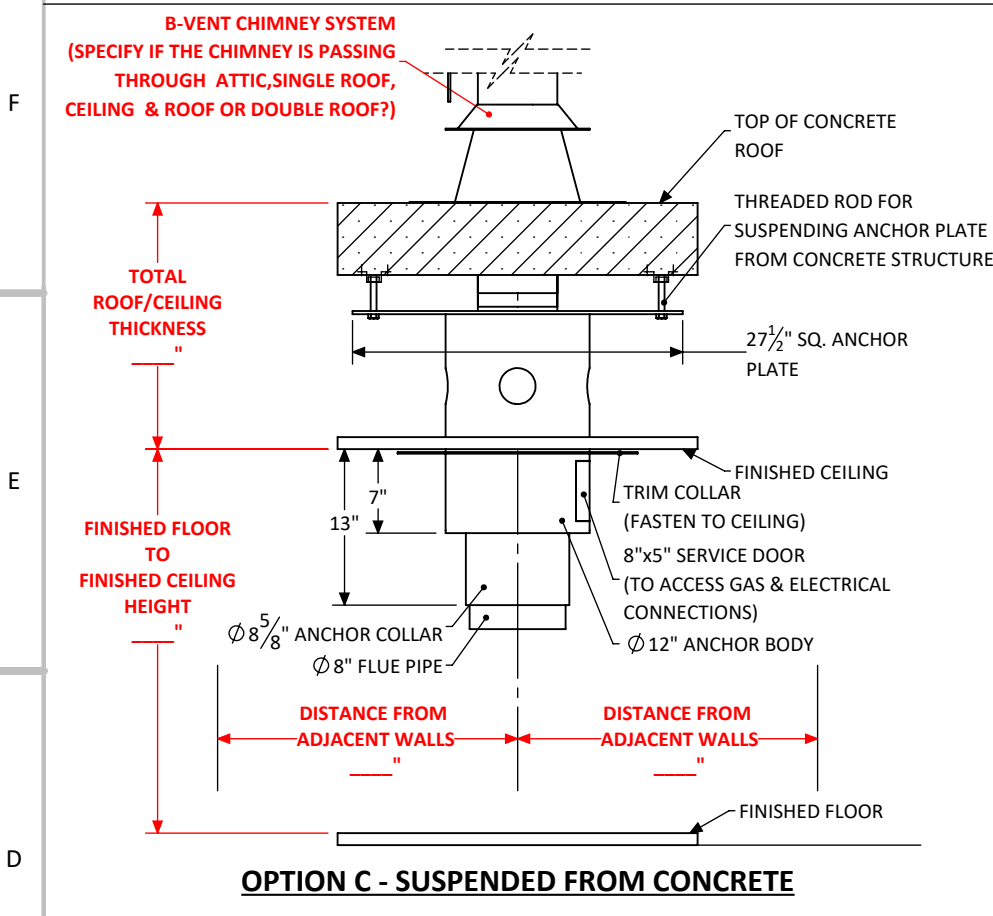
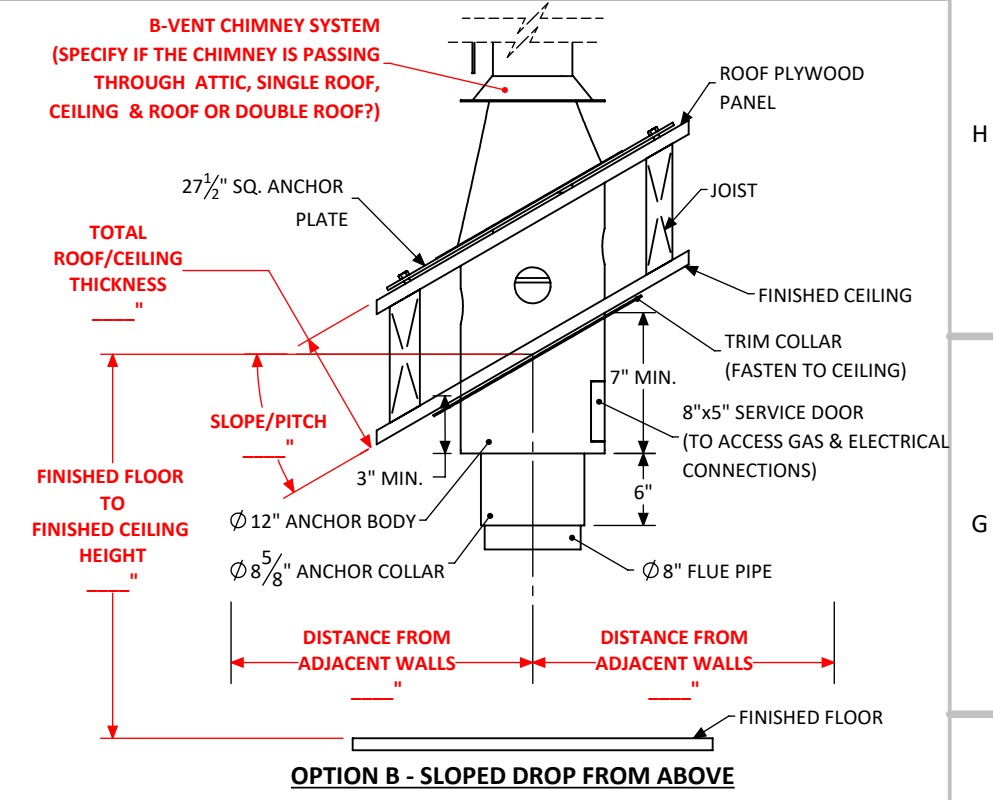
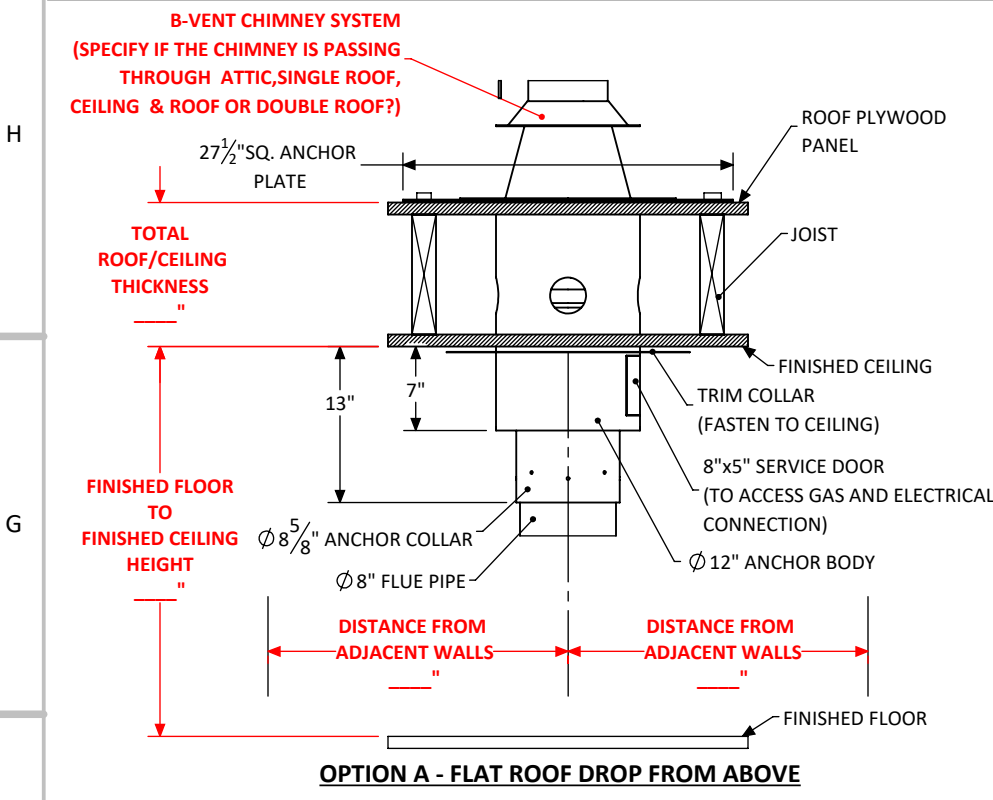


	NAME	DATE (mm/dd/yyyy)
DRAWN	mpanchal	2020-06-17
CHECKED	MV	2020-06-17
APPROVED	--	NA

SIZE B SHEET 3 OF 7 DO NOT SCALE DRAWING

PROPRIETARY AND CONFIDENTIAL
THE INFORMATION CONTAINED IN THIS DRAWING IS THE SOLE PROPERTY OF CUSTOM FIREPLACE DESIGN.
ANY REPRODUCTION IN PART OR AS A WHOLE WITHOUT THE WRITTEN PERMISSION OF CUSTOM FIREPLACE DESIGN IS PROHIBITED.

CUSTOM ANCHOR OPTIONS AVAILABLE (PLEASE FILL IN THE BLANKS AS PER SITE SPECIFIC DETAILS)



North American Designed & Manufactured by:

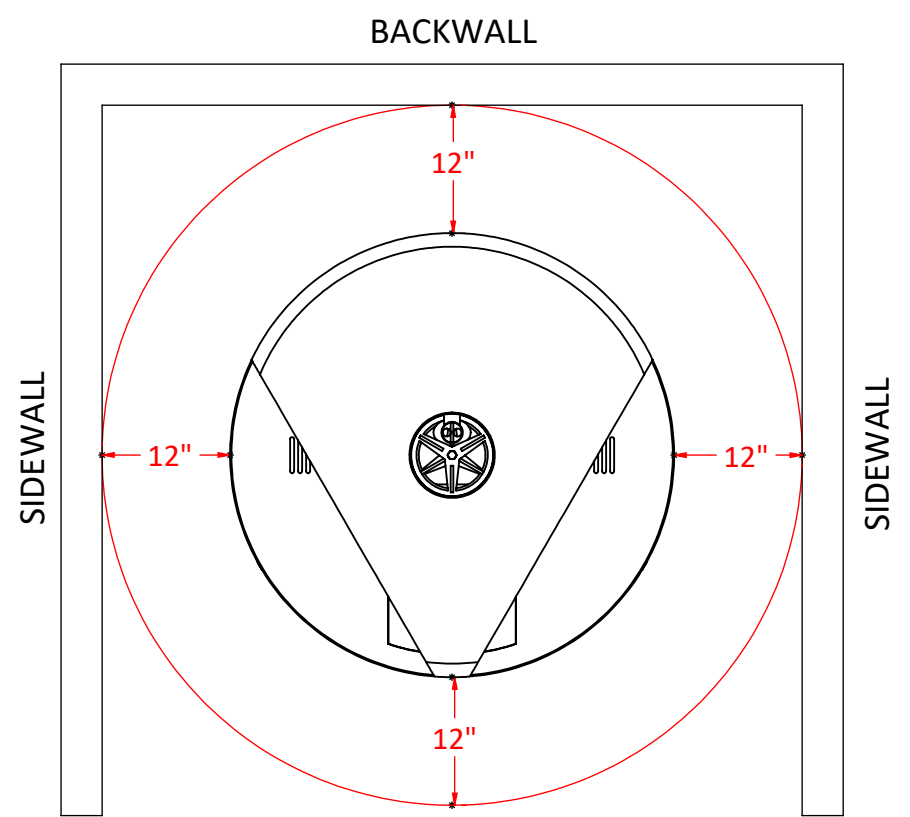
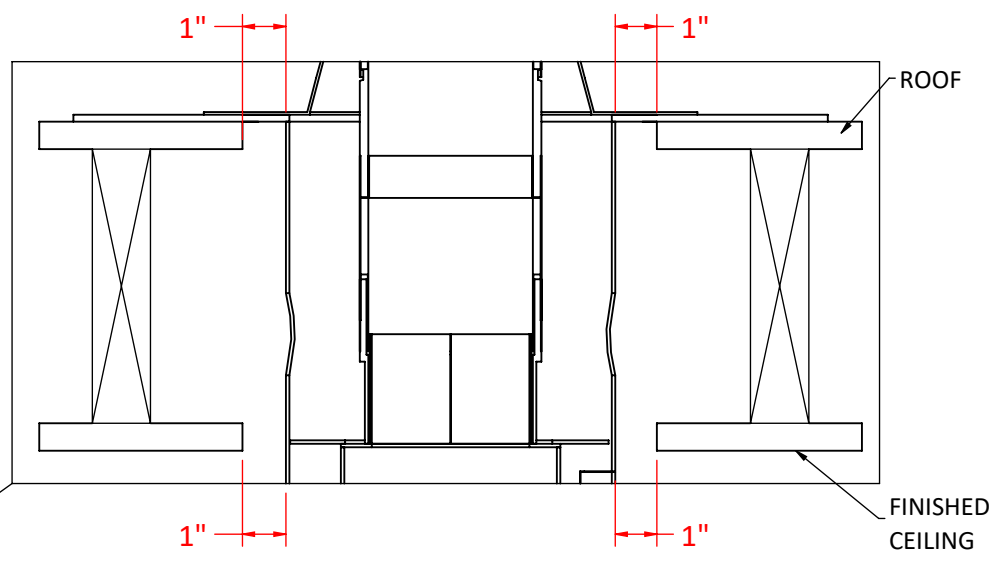
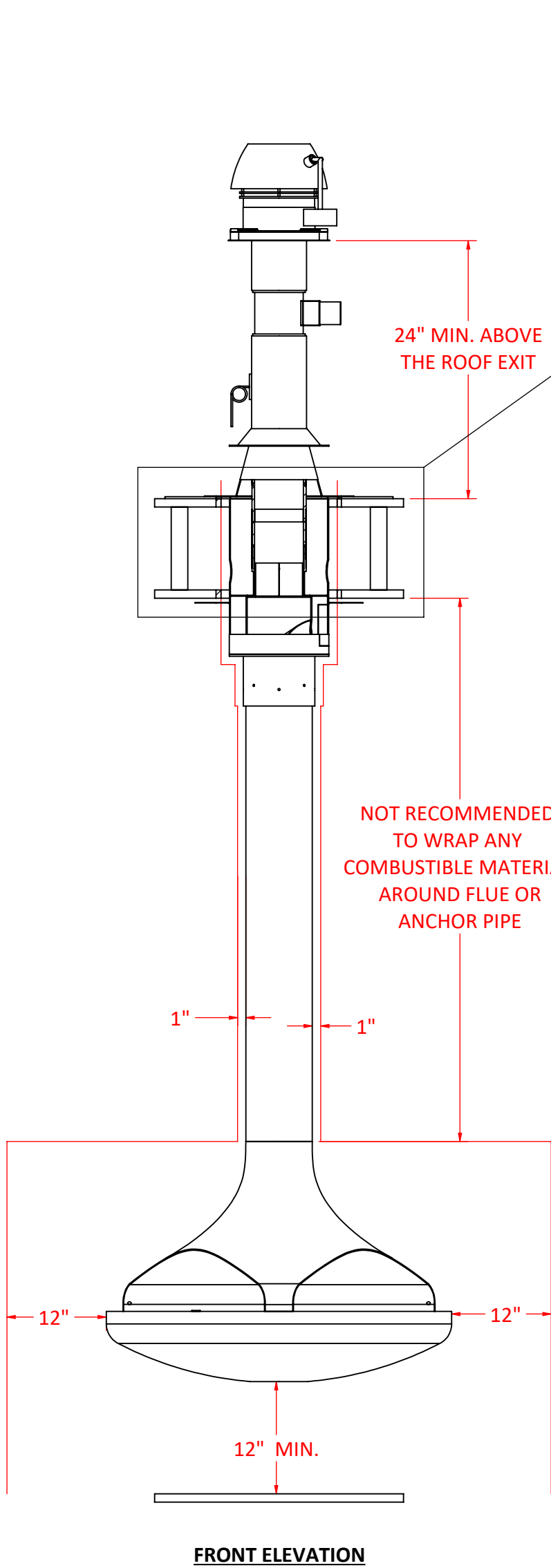
CF + D
custom fireplace design

5230 Harvester Rd. Unit # 2 Burlington, Ontario Canada L7L 4X4
Phone: 905 681-3070 Fax: 905 681-8697

PROJECT	CALLISTA Double-Sided Suspended Gas Fireplace	REV	0
UNLESS OTHERWISE SPECIFIED	DESCRIPTION	Anchor Options	
DIMENSIONS ARE IN INCHES		NAME	DATE (mm/dd/yyyy)
TOLERANCES:			
FRACTIONAL ± 1/16		DRAWN	pjani 2020-06-21
ANGULAR: MACH ± 1° BEND ± 0.5°		CHECKED	MV 2020-06-21
TWO PLACE DECIMAL ± 0.01			
THREE PLACE DECIMAL ± 0.005			
SIZE B SHEET 4 OF 7	DO NOT SCALE DRAWING	APPROVED	NA

PROPRIETARY AND CONFIDENTIAL
THE INFORMATION CONTAINED IN THIS DRAWING IS THE SOLE PROPERTY OF CUSTOM FIREPLACE DESIGN. ANY REPRODUCTION IN PART OR AS A WHOLE WITHOUT THE WRITTEN PERMISSION OF CUSTOM FIREPLACE DESIGN IS PROHIBITED.

CLEARANCE TO COMBUSTIBLES



CLEARANCE TO COMBUSTIBLES AROUND FIREPLACE BODY

- CLEARANCE TO COMBUSTIBLES:**
1. 12" from floor to the bottom of the fireplace.
 2. A minimum 12" distance between a combustible wall and fireplace body is required.
 3. 1" where the anchor or flue crosses the ceiling & roof.

North American Designed & Manufactured by:

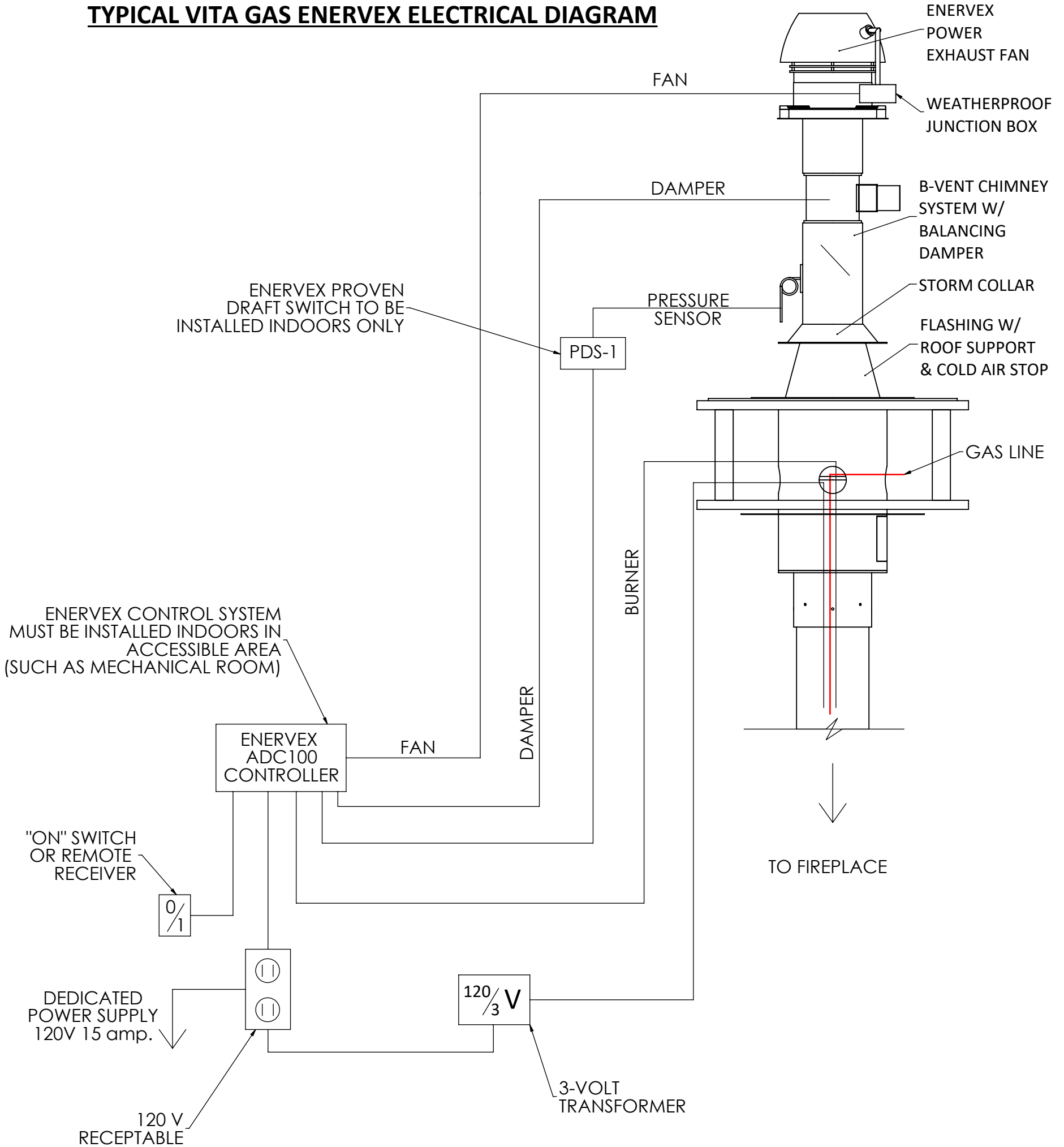


5230 Harvester Rd. Unit # 2 Burlington, Ontario Canada L7L 4X4
Phone: 905 681-3070 Fax: 905 681-8697

PROJECT		REV
CALLISTA Double-Sided Suspended Gas Fireplace		0
UNLESS OTHERWISE SPECIFIED		DESCRIPTION
DIMENSIONS ARE IN INCHES		CLEARANCE TO COMBUSTIBLES
TOLERANCES:		
FRACTIONAL ± 1/16		NAME
ANGULAR: MACH ± 1° BEND ± 0.5°		DATE (mm/dd/yyyy)
TWO PLACE DECIMAL ± 0.01		DRAWN
THREE PLACE DECIMAL ± 0.005		CHECKED
SIZE B SHEET 5 OF 7 DO NOT SCALE DRAWING		APPROVED
		NAME
		DATE
		REV

PROPRIETARY AND CONFIDENTIAL
THE INFORMATION CONTAINED IN THIS DRAWING IS THE SOLE PROPERTY OF CUSTOM FIREPLACE DESIGN. ANY REPRODUCTION IN PART OR AS A WHOLE WITHOUT THE WRITTEN PERMISSION OF CUSTOM FIREPLACE DESIGN IS PROHIBITED.

TYPICAL VITA GAS ENERVEX ELECTRICAL DIAGRAM



SCHEMATIC ENERVEX SYSTEM AS PER ENERVEX MANUALS/MEP REQUIREMENTS

SEE PAGE 11 OF ENERVEX ADC100
MANUAL

North American Designed & Manufactured by:



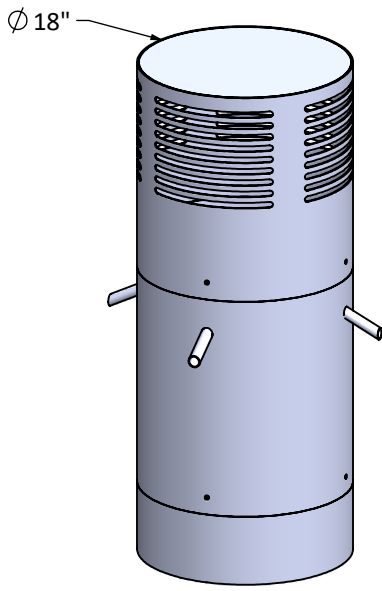
5230 Harvester Rd. Unit # 2 Burlington, Ontario Canada L7L 4X4
Phone: 905 681-3070 Fax: 905 681-8697

PROJECT CALLISTA Double-Sided Suspended Gas Fireplace		REV 0
UNLESS OTHERWISE SPECIFIED		DESCRIPTION Electrical Diagram
DIMENSIONS ARE IN INCHES		
TOLERANCES:		
FRACTIONAL ± 1/16		
ANGULAR: MACH ± 1° BEND ± 0.5°		
TWO PLACE DECIMAL ± 0.01		
THREE PLACE DECIMAL ± 0.005		
DRAWN	NAME mpanchal	DATE (mm/dd/yyyy) 2020-06-17
CHECKED	MV	2020-06-17
APPROVED	--	NA

SIZE B SHEET 6 OF 7 DO NOT SCALE DRAWING

PROPRIETARY AND CONFIDENTIAL
THE INFORMATION CONTAINED IN THIS DRAWING IS THE SOLE PROPERTY OF CUSTOM FIREPLACE DESIGN.
ANY REPRODUCTION IN PART OR AS A WHOLE WITHOUT THE WRITTEN PERMISSION OF CUSTOM FIREPLACE DESIGN IS PROHIBITED.

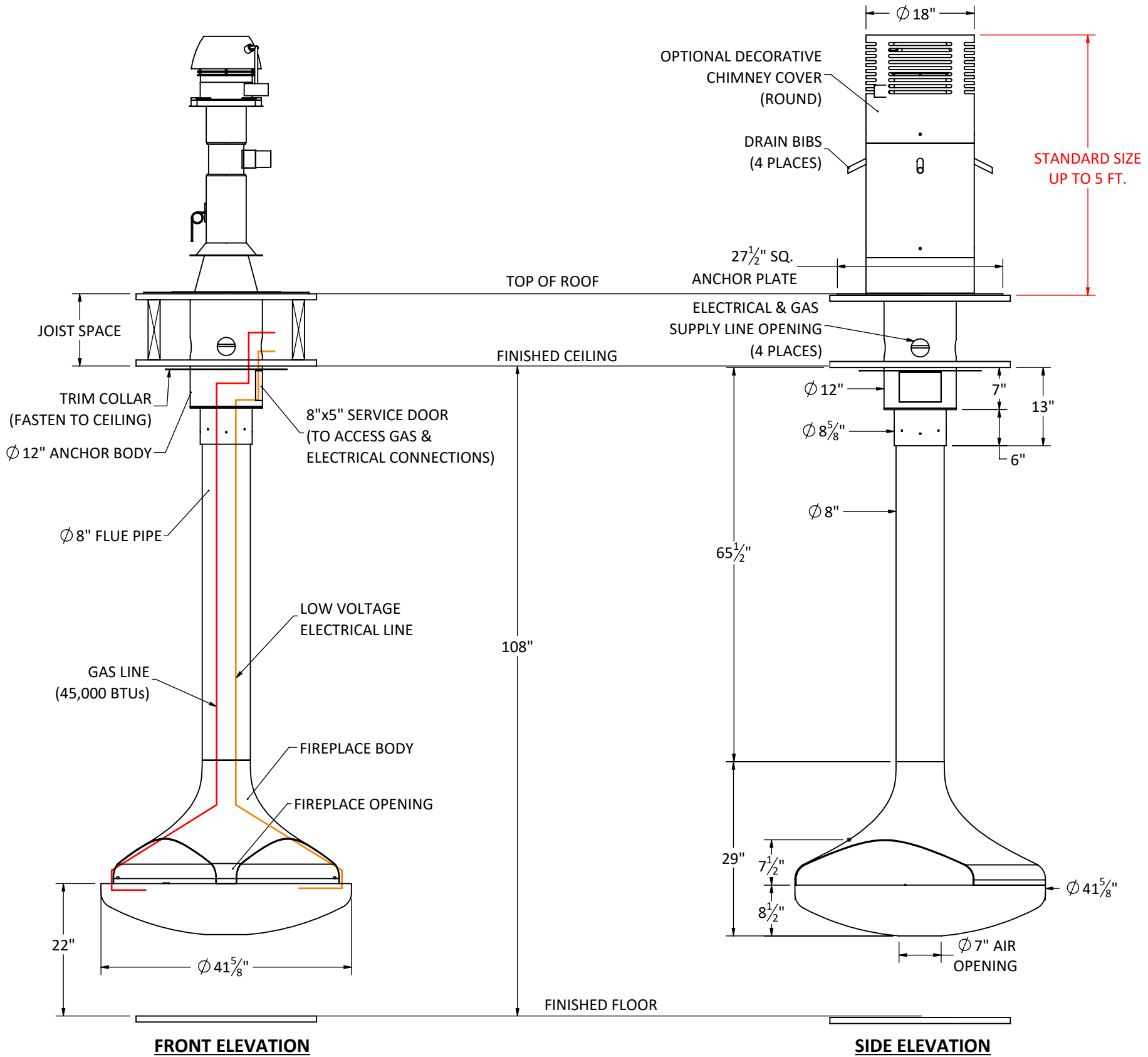
OPTIONAL DECORATIVE CHIMNEY COVER (ROUND)



(STANDARD SIZE UP TO 5 FT.)

WITHOUT DECORATIVE CHIMNEY COVER

WITH DECORATIVE CHIMNEY COVER



Shown with Standard 9 ft. Flat Ceiling Application & Gas Burner Custom Lengths & Anchor Options Available

North American Designed & Manufactured by:



5230 Harvester Rd. Unit # 2 Burlington, Ontario Canada L7L 4X4
Phone: 905 681-3070 Fax: 905 681-8697

PROJECT
CALLISTA Double-Sided | Suspended Gas Fireplace

REV
0

UNLESS OTHERWISE SPECIFIED
DIMENSIONS ARE IN INCHES
TOLERANCES:
FRACTIONAL ± 1/16
ANGULAR: MACH ± 1° BEND ± 0.5°
TWO PLACE DECIMAL ± 0.01
THREE PLACE DECIMAL ± 0.005

DESCRIPTION		DATE
Decorative Cover		(mm/dd/yyyy)
	NAME	
DRAWN	mpanchal	2020-06-17
CHECKED	MV	2020-06-17
APPROVED	--	NA

SIZE B SHEET 7 OF 7 DO NOT SCALE DRAWING

PROPRIETARY AND CONFIDENTIAL
THE INFORMATION CONTAINED IN THIS DRAWING IS THE SOLE PROPERTY OF CUSTOM FIREPLACE DESIGN.
ANY REPRODUCTION IN PART OR AS A WHOLE WITHOUT THE WRITTEN PERMISSION OF CUSTOM FIREPLACE DESIGN IS PROHIBITED.